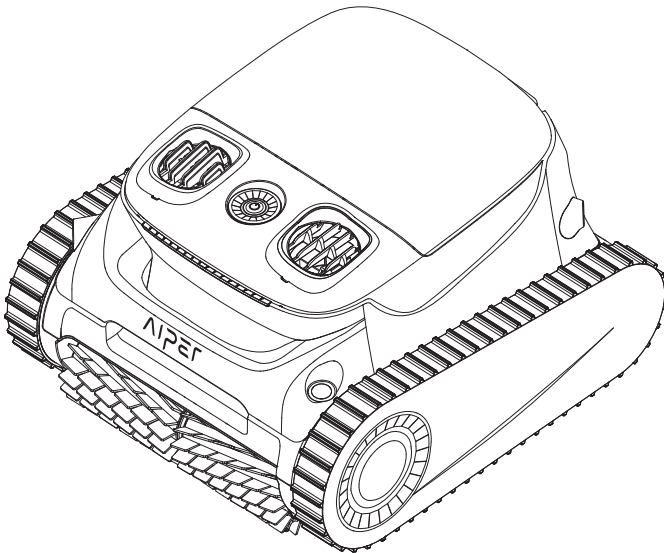


AIPER[®]

— bring vacation home —

ROBOTIC POOL CLEANER User Manual

Aiper Scuba N1 Pro



CONTENTS

English	-----	2-25
Français	-----	26-49
Español	-----	50-73

FCC Statement

Note: This equipment has been tested and found to comply with the limits according to Part 15 of the FCC Rules of a Class B digital device. These limits are designed to provide reasonable protection against harmful interference in a residential installation. This equipment generates, uses, and can radiate radio frequency energy and, if not installed and used in accordance with the instructions, may cause harmful interference to radio communications or persons. However, there is no guarantee that interference will not occur in a particular installation. If this equipment does cause harmful interference to radio or television reception, the user is encouraged to try to correct the interference by one or more of the following measures:

- Reorientate or relocate the receiving antenna.
- Increase the separation between the equipment and receiver.
- Plug the equipment into an outlet on a circuit different from that to which the receiver is connected.
- Consult the manufacturer or an experienced radio/TV technician for help.

Warning

Changes or modifications of this product are not expressly approved by the party responsible for compliance (Aiper), and unauthorized modifications could void the user's authority to operate the equipment.

Compliance Declaration

This device complies with Part 15 of the FCC Rules. Operation is subject to the following two conditions: (1) this device may not cause harmful interference, and (2) this device must accept any interference received, including interference that may cause undesired operation.

Importer: Aiper Intelligent, LLC.
Address: 13851 Ramona Ave, Chino, CA 91710, USA.
Telephone: +1866-850-0666
AU Toll-Free: +61(180)049-7023

IC Statements

This device complies with Industry Canada license - ICES-003. Operation is subject to the following two conditions: (1) This device may not cause interference, and (2) This device must accept any interference, including interference that may cause undesired operation of the device.

Le présent appareil est conforme aux CNR d'Industrie Canada applicables aux appareils radio exempts de licence. L'exploitation est autorisée aux deux conditions suivantes : (1) l'appareil ne doit pas produire de brouillage, et (2) l'utilisateur de l'appareil doit accepter tout brouillage radioélectrique subi, même si le brouillage est susceptible d'en compromettre le fonctionnement.

Thank you for choosing Aiper.

You've now joined a family of millions who have already put their trust in Aiper to take care of their pools and are enjoying the convenience of a pristinely clean pool.

This user manual will help you maintain your Aiper pool cleaner and ensure it performs at its maximum efficiency for years to come. Please take a few minutes to read through this manual.

If you have any questions, please visit our website at www.aiper.com and contact our customer service team for assistance or more information.

Aiper Customer Service:

US Toll-Free: 1-866-850-0666

AU Toll-Free: +61(180)049-7023

Email: service@aiper.com

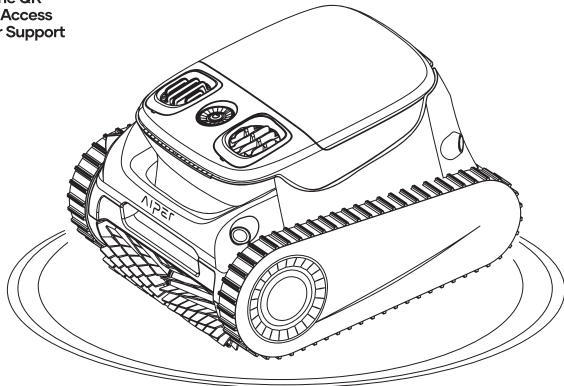
Facebook: @AiperOfficial



Scan for
Video Guide



Scan the QR
Code to Access
Customer Support



English

CONTENTS

Important Safety Precautions ----- 4

1. Structure ----- 5

2. Specifications & Working Conditions ----- 6

3. Charging ----- 7

4. Using Your Aiper Pool Cleaner ----- 8

5. Operating Your Device ----- 8

6. Disassembly and Cleaning ----- 14

7. Aiper App User Guide ----- 16

8. Maintenance ----- 17

9. Storage ----- 23

10. LED Indicator ----- 24

11. Packing List ----- 25

12. Warranty ----- 25

Important Safety Precautions

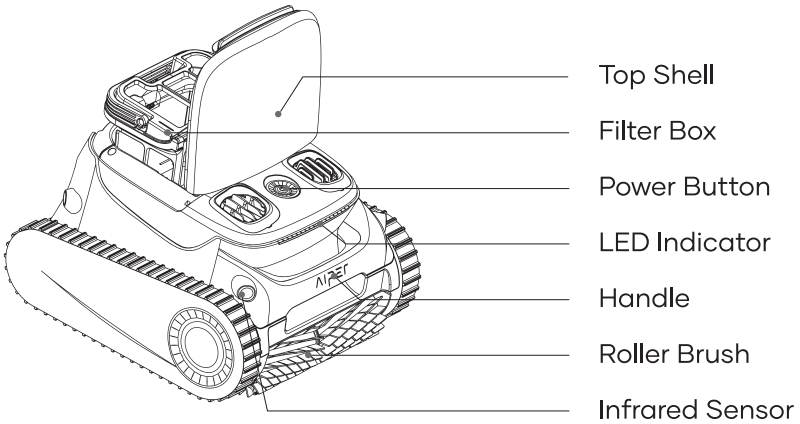
Please read this manual carefully and use your Aiper pool cleaner in accordance with the manual instructions. Aiper is not liable for any losses or injuries caused by improper use of this device.

For your safety and optimal performance of this device, please read and follow the following suggestions.

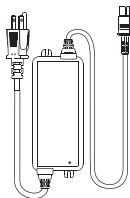
1. Do not operate your Aiper pool cleaner while people or animals are in the pool.
2. Turn the cleaner off while not in use or while performing maintenance.
3. Do not allow children to ride the Aiper pool cleaner under any circumstances. Please supervise children when they are around an operational Aiper pool cleaner.
4. Use only authorized Aiper power adapters.
5. The adapter cord should only be replaced by a qualified electrician or Aiper Customer Care.
6. It's suggested to plug the power adapter into a power strip or surge protector and not directly into an electrical outlet.
7. Ensure your device is powered off and the charging port is dry before charging. While charging, your Aiper pool cleaner should be kept in a cool place. Do not cover your Aiper pool cleaner while charging as this may cause components to overheat.
8. Please store the machine indoors or in a cool place when not in use.
9. Do not run your Aiper pool cleaner out of the water as it may lead to overheating.
10. Only certified professionals should disassemble the sealed driving kit of your Aiper pool cleaner.
11. Do not operate your Aiper pool cleaner and pool filter simultaneously.
12. The oil sealing around the motor contains grease, which may cause a small amount of water pollution if the motor is damaged. If you believe there is a leak, stop using the unit immediately.
13. Do not pierce the shell of your Aiper pool cleaner, throw, or damage the cleaner intentionally.
14. When putting your device into the water, the front of the machine must face upwards and should never be placed upside down or directly thrown into the swimming pool.

Please read this user manual carefully before operating the device.

1. Structure



Retrieval Hook



Charger

2. Specifications & Working Conditions

1. Pool Size: 2150 Sq.ft/ 200m²
2. Charger Input: 100-240V, 60/50Hz, Max 2.5A
3. Charger Output: 29.4V/3A
4. Charging Time: 4 Hours
5. Battery Life: Up to 180 Minutes
6. IP Grade: IPX8 Waterproof
7. Water Depth: 10ft(3m)
8. Suction Power: 110GPM (420LPM)
9. Battery Pack: 7800mAh (196.56Wh)
10. Battery Pack Voltage: 25.2V

CAUTION:

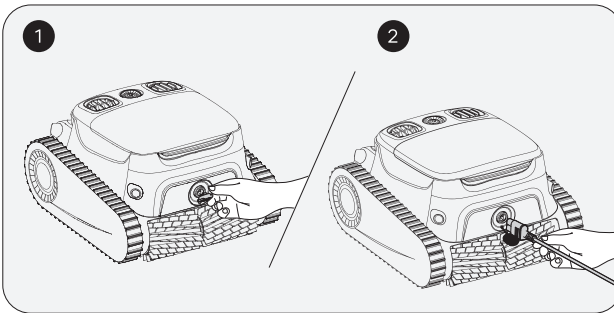
Do not use the device in a pool environment beyond the conditions described below, doing so may cause damage to the device that will not be covered by your warranty.

- Temperature: 50-95°F (10-35°C)
- pH Value: 7.0-7.4
- Chlorine: Maximum 4 ppm
- NaCl: Maximum 5000 ppm

3. Charging

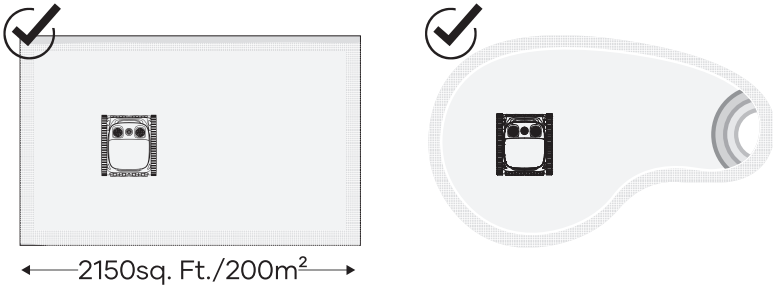
CAUTION: Do not charge the device in direct sunlight.

- a. Fully charge the device before using it to clean your pool.
- b. Before charging, remove the charging port cover to check if there is any residual water in the charging port. If so, wipe dry the charging port before charging.
- c. Insert the charging cable into the charging port of the device and then into an available electrical outlet. The LED indicator on the device will start to pulse, indicating that the device is being charged. When it is fully charged, the LED indicator will remain on.



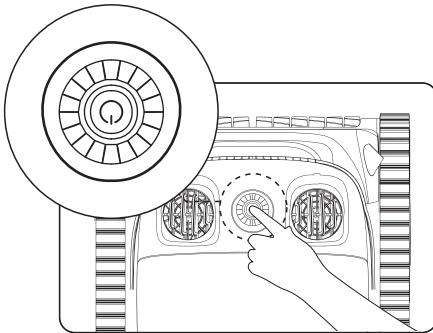
4. Using Your Aiper Pool Cleaner

- a. This device is suitable for cleaning the floors, walls, and waterlines of your pool within an area of up to 2150 Sq.ft/ 200m².

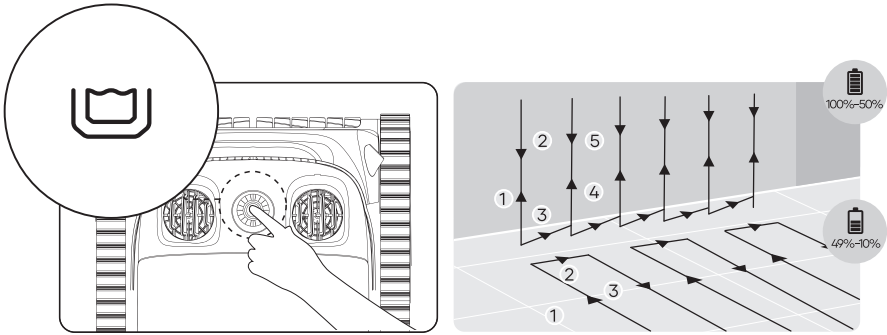


5. Operating Your Device

- a. Press and hold the Power Button for 2s to turn on/off the device.

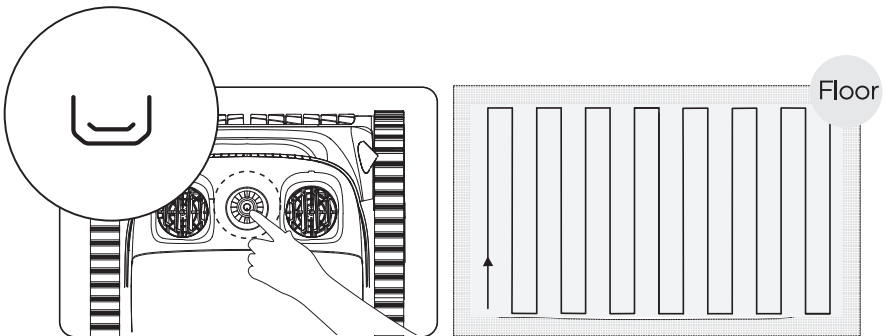


- b. Auto mode is the default mode for this device once turned on. Press the button to switch between Auto, Floor, Waterline, and Eco Mode.
- 1) Auto Mode: The device will clean your pool's floors and walls. When the battery level is low (LED indicator turns solid red), the device will automatically stop cleaning and dock.



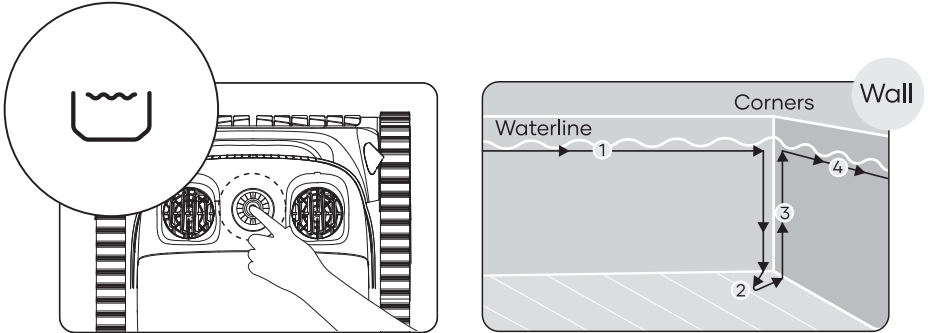
Auto Mode: cleaning the pool

- 2) Floor Mode: The device will clean the pool floor in a S-shaped route, without climbing or cleaning walls. When the battery level is low, the device will automatically stop cleaning and dock.



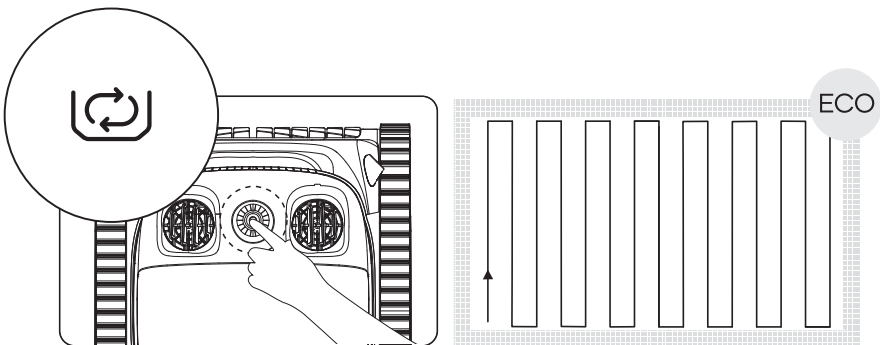
Floor Mode

- 3) Waterline Mode: The machine will move horizontally and clean along the waterline. When running into corners or obstacles on the pool walls, it will descend from the waterline, switch walls or bypass obstacles, and resume cleaning.



Waterline Mode

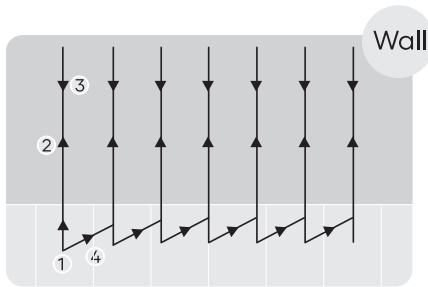
- 4) Eco Mode: On a fully charged battery, the device will clean the floor of your pool for 45 min once every 48 hours for one week.



Eco Mode

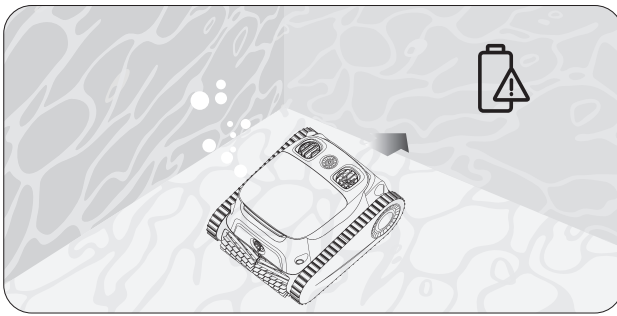
5) Wall Mode: Only configurable via the Aiper APP, the device will clean the pool walls in an N-shaped route, and not clean the floors. When the battery level is low, the device will automatically stop cleaning and dock.

Note: This feature is only configurable in the Aiper APP. Additionally, if you have not purchased the Aiper HydroComm, the APP can only be used when the device is outside the water. Once the device is underwater, the APP will lose connection with it.

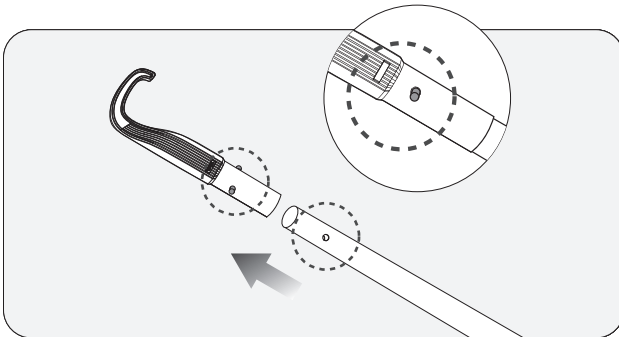


Wall Mode

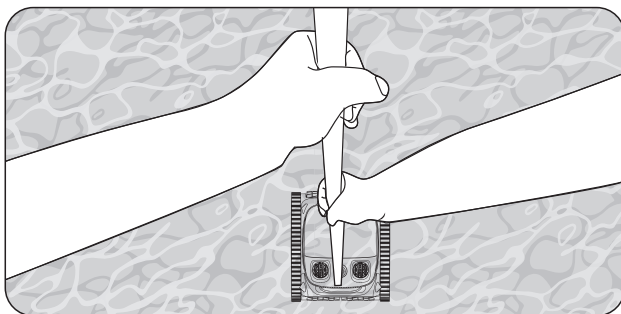
- c. After selecting a cleaning mode, the device will rotate its water pump every 10 seconds, 3 times in total, to check if it has been put into the pool. If the device fails to detect water during this process, it will automatically shut down. The device will start cleaning within 10 seconds of reaching the pool floor.
- d. When the battery level is low, the device will automatically stop cleaning and dock by the nearest wall.



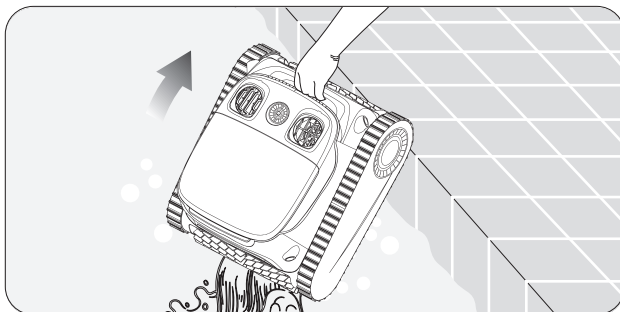
- e. Lift the device from the pool floor with a hook to prevent getting wet. Users can connect the hook to any standard pool cleaning rod (not included) to extend the reach of the hook.



f. Allow the device to drain any stored water before storing it.

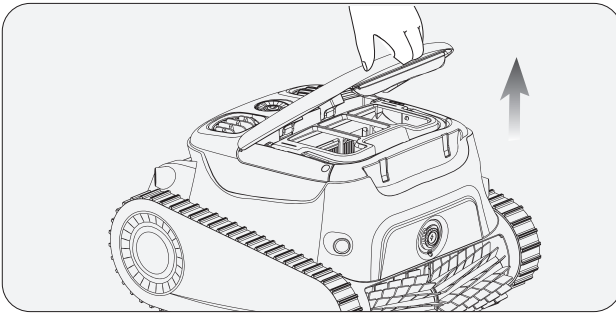


g. Hold the handle and allow the device to drain any stored water.

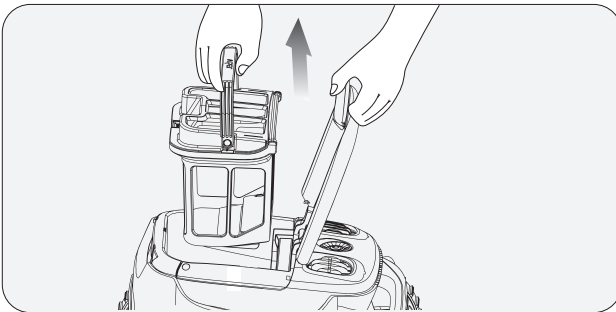


6. Disassembly and Cleaning

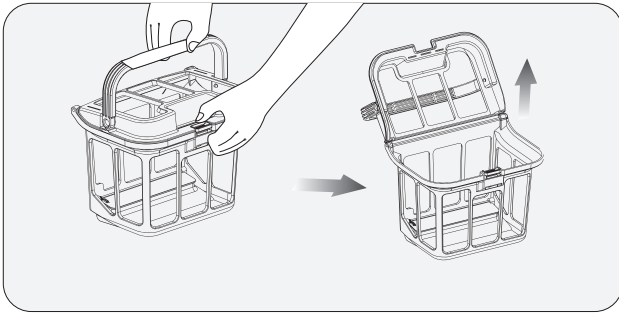
- a. Set aside the device in a safe, secure location and open the Top Shell.



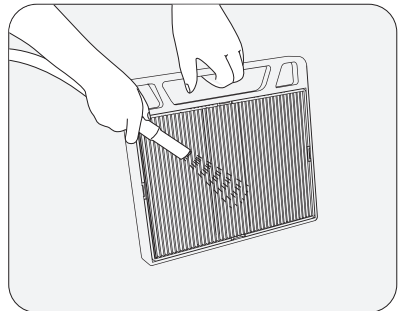
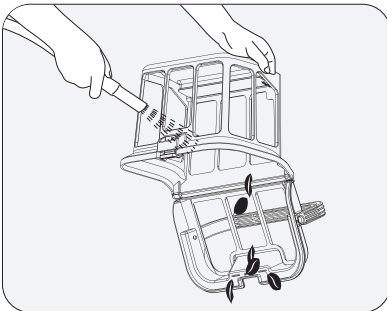
- b. Remove the Filter Box by lifting its handle.



- c. Press the latch of the top shells latch of the filter box and at the same time pull up on the top cover handle to open the filter box.



- d. Empty the Filter Box, rinse, and replace it back into the device once cleaned.
- e. Please remove and clean the ultra-fine filter immediately after cleaning is complete to avoid accumulation of dirt and debris which may damage the filter. It is recommended to use a high-pressure water gun to flush any accumulated debris immediately.



7. Aiper App User Guide

7.1 How to download and install the Aiper App

- a. Search for "Aiper" in your devices App store, download, and install the APP on your mobile.
- b. Start the app and register. Then log in to the app using the data (email address and password) that you provided during registration.



7.2 How to Add and Use Devices

- a. Before adding a device, please confirm the following:
 - The area where the device is used has 2.4G Wi-Fi coverage. 5G Wi-Fi is not supported.
 - Your phone supports Wi-Fi and Bluetooth, and Bluetooth is activated.
 - The phone is within 20ft/6m of your new device.
- b. Tap the "+" in the top right corner of the App's homepage, select "Add Device", and follow the instructions to add the device.
- c. After adding the device, you can configure and view your Aiper device and features in the Aiper APP.

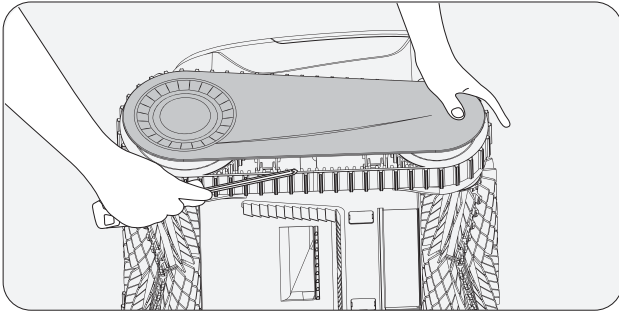
Note: If you have not purchased the Aiper HydroComm, some features of your device will only be accessible while your device is out of the water. Once submerged, you will lose connection and cannot control your device via the APP.

The Aiper HydroComm enables underwater communication and internet connectivity for your Aiper device, offering features such as waterline recall, real-time control, underwater cleaning mode switching, 24/7 water quality monitoring, and real-time fault reporting. Inquiries for purchase are welcome at Aiper.

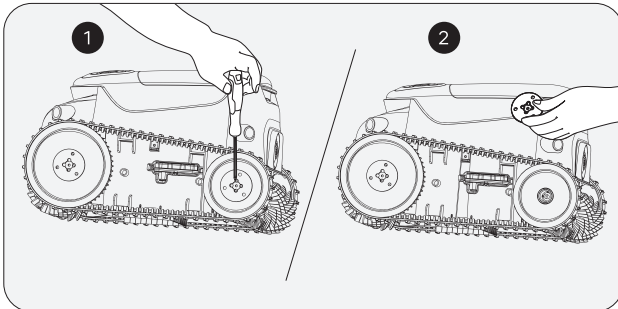
8. Maintenance

8.1 Replacing the tracks.

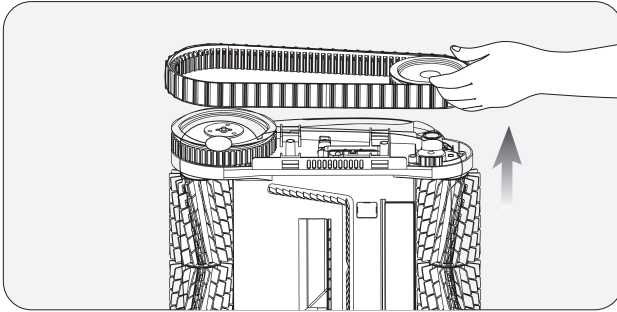
a. Remove the side cover plate from the device.



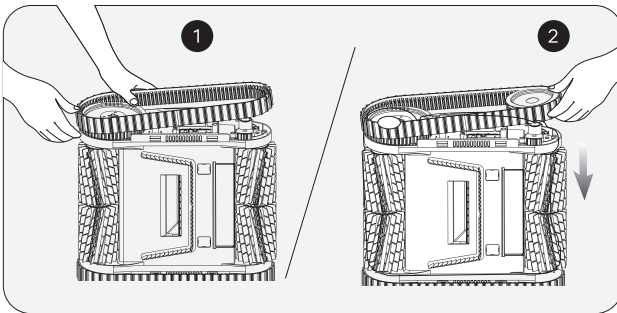
b. Remove the screws and the guide sleeves from the wheels.



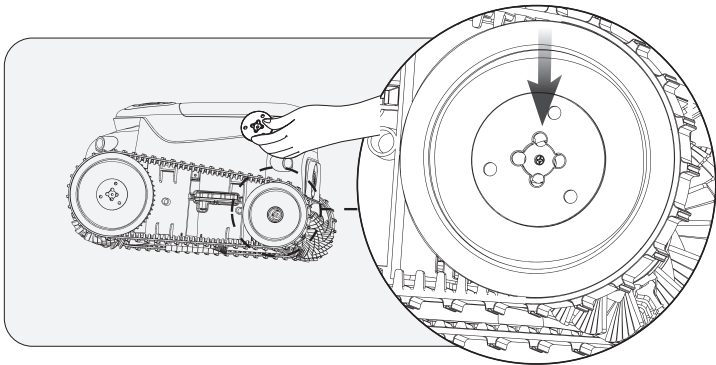
c. Pull the wheels and the track together to remove them.



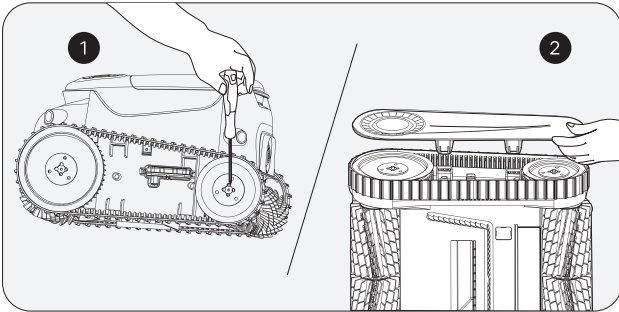
d. Align the gears on the new tracks with the gears on both wheels, then install the rear wheels and tracks together back onto the shaft sleeves.



e. Re-install the guide sleeves by aligning their D-shaped openings with that of the shaft sleeves.

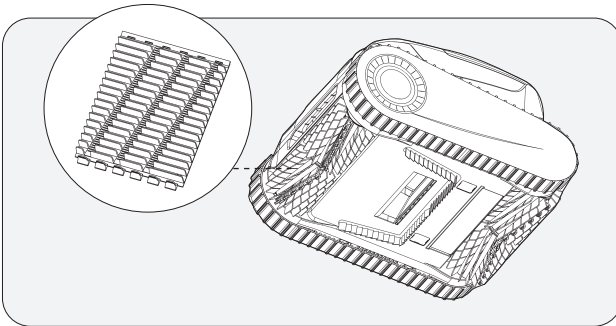


f. Tighten the screws and re-install the side cover plate.

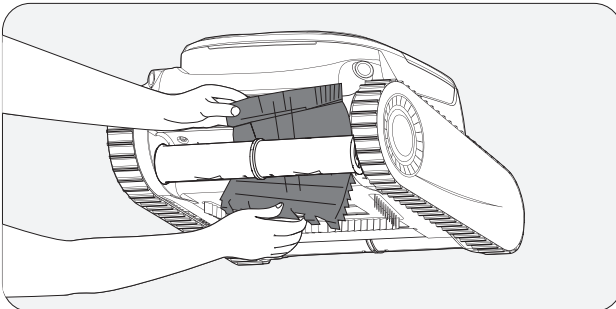


8.2 Replacing the roller brush belt.

- a. Find the side that looks different from the other roller brush belts, and pull down the silicone buckles that are stuck in the fixed slot.

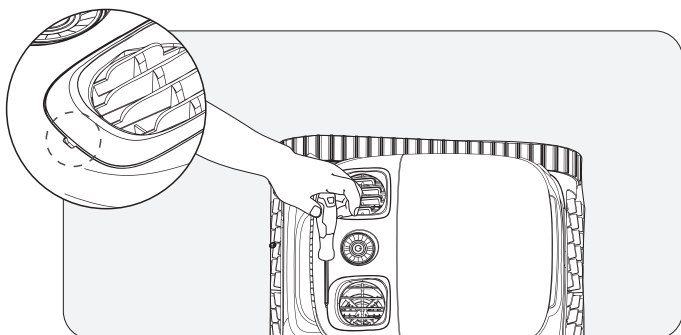


- b. After all the silicone buckles are pulled out, replace the roller brush belt with a new one. Align the silicone buckles with the fixed slot and pull them outward. They can be fixed after passing through the slot.

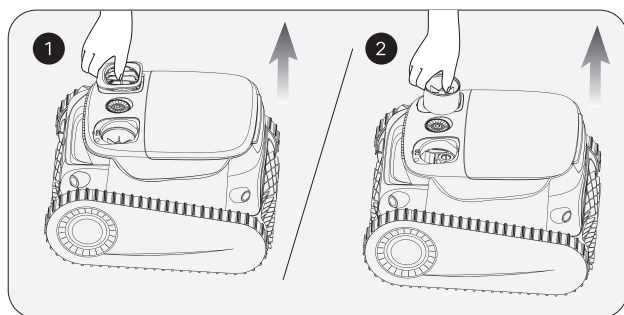


8.3 Cleaning the drain.

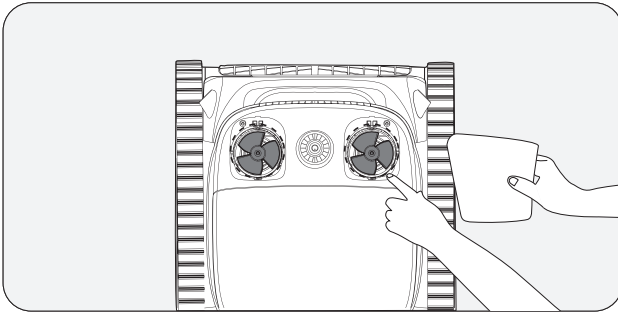
a. Lift the top shell.



b. Remove the screws and drain cover.



- c. Remove any objects entangled in the drains fan blades, and then re-install the drain cover and screws.



9. Storage

Winter Tips: How to store and secure your Aiper devices

How should I store my Aiper device during the off-season?

In your pool's off-season, such as winter months or long vacations when your Aiper device won't be used, there are a few steps to take to protect your device and keep it in the best condition possible.

1. Power off your device and disconnect it from the charger.
2. Clean the device of any residual dirt, including the top & bottom shell, wheels, roller brushes, and charging port.
3. Using a paper towel or soft cloth, wipe dry your device.
4. Box and store your device in a cool, well-ventilated area.
5. Charge your device every TWO months to 40%-60% battery capacity to maintain the battery health of your device.

When you're ready to use your Aiper device in your pool, fully charge the device before using it in your pool, and never charge your device in direct sunlight.

10. LED Indicator Lights

Light Status	Device Status	Description	
Pulsing Light	Charging	The LED indicator color changes with the battery level. The indicator light slowly pulses during charging and produces a solid glow turns when fully charged.	Blue light always on: 100%
			Blue: > 51%
			Yellow: 50-16%
			Red: < 15%
Solid Light	Operating	The LED indicator color changes with the battery level.	Blue: > 51%
			Yellow: 50-16%
			Red: < 15%
Red Light Flashes Rapidly	Device Malfunction	Filter screen blockage, motor stalling, electrical leakage, etc.	

11. Packing List

NO.	Name	Model	QTY(pc)
1	Cleaner	Aiper Scuba N1 Pro	1
2	DC Charger	/	1
3	Retrieval Hook	/	1
4	User Manual	/	1
5	Extra PVC Brushes	/	2
6	Extra 3µm Ultra-fine Filter	/	2

12. Warranty

This product has passed quality control and safety test conducted by our technicians.

1. This product comes with a 24-month warranty that covers your item's battery and motor from the date of purchase.
2. This warranty is voided if the product has been altered, misused, or has been repaired by unauthorized persons.
3. This warranty extends only to manufacturing defects and does not cover damage resulting from the mishandling of the product by the owner.
4. The order number or record of purchase must be presented at the request of any repair claim during the warranty period.



This symbol indicates that this product shall not be treated as household waste. Instead it shall be handed over to the applicable collection point for the recycling of electrical and electronic equipment.

Merci d'avoir choisi Aiper.

Vous avez maintenant rejoint une famille de millions de personnes qui ont déjà fait confiance à Aiper pour prendre soin de leur piscine et qui profitent de la commodité d'une piscine parfaitement propre.

Le présent manuel de l'utilisateur vous aidera à entretenir votre nettoyeur de piscine Aiper et à faire en sorte qu'il fonctionne à son niveau d'efficacité maximal pendant les années à venir. Veuillez prendre quelques minutes pour lire ce manuel.

Si vous avez des questions, veuillez consulter notre site Web à l'adresse www.aiper.com et contacter notre service clientèle pour obtenir de l'aide ou de plus amples informations.

Service client d'Aiper :

US Toll-Free: 1-866-850-0666

AU Toll-Free: +61(180)049-7023

Email: service@aiper.com

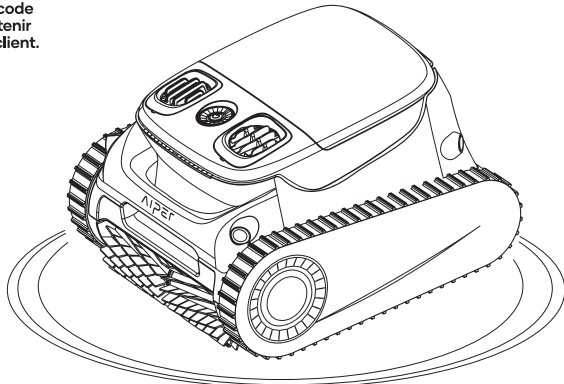
Facebook: @AiperOfficial



Scannez pour accéder au guide vidéo



Scannez le code QR pour obtenir du support client.



Français**SOMMAIRE**

Précautions de sécurité importantes -----	28
1. Structure -----	29
2. Caractéristiques -----	30
3. En charge -----	31
4. Utilisation du nettoyeur de piscine Aiper ---	32
5. Fonctionnement de l'appareil -----	32
6. Démontage et nettoyage -----	38
7. Manuel d'utilisation -----	40
8. Maintenance -----	41
9. Stockage -----	47
10. Voyants lumineux -----	48
11. Liste d'emballage -----	49
12. Garantie -----	49

Précautions de sécurité importantes

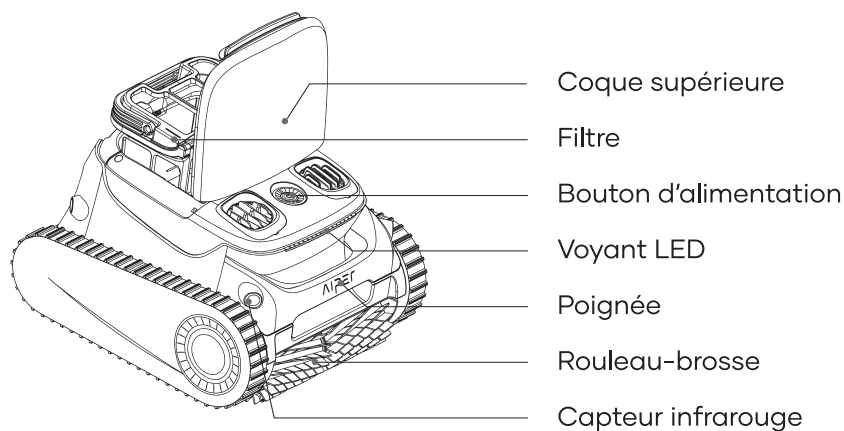
Veuillez lire attentivement ce manuel et utiliser votre nettoyeur de piscine Aiper en respectant les instructions du manuel. Aiper n'est pas responsable des pertes ou des blessures causées par une utilisation incorrecte de cet appareil.

Pour votre sécurité et une performance optimale de cet appareil, veuillez lire et suivre les suggestions suivantes.

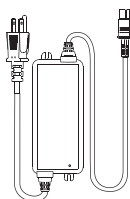
1. Ne faites pas fonctionner votre nettoyeur de piscine Aiper lorsque des personnes ou des animaux sont dans la piscine.
2. Éteignez l'appareil lorsqu'il n'est pas utilisé ou lorsqu'il est en cours d'entretien.
3. Ne laissez en aucun cas les enfants utiliser l'aspirateur de piscine Aiper. Surveillez les enfants lorsqu'ils se trouvent à proximité d'un robot de piscine Aiper en fonctionnement.
4. N'utilisez que des adaptateurs électriques Aiper autorisés.
5. Le cordon de l'adaptateur ne doit être remplacé que par un électricien compétent ou par le service clientèle d'Aiper.
6. Il est suggéré de brancher l'adaptateur d'alimentation dans une multiprise ou un protecteur de surtension et non directement dans une prise électrique.
7. Assurez-vous que votre appareil est hors tension et que le port de charge est sec avant de le charger. Pendant la charge, votre robot de piscine Aiper doit être conservé dans un endroit frais. Ne couvrez pas votre nettoyeur de piscine Aiper pendant la charge car cela pourrait entraîner une surchauffe des composants.
8. Veuillez ranger l'appareil à l'intérieur ou dans un endroit frais lorsqu'il n'est pas utilisé.
9. Ne faites pas fonctionner votre nettoyeur de piscine Aiper hors de l'eau, car cela pourrait entraîner une surchauffe.
10. Seuls des professionnels certifiés doivent démonter le kit d'entraînement scellé de votre nettoyeur de piscine Aiper. votre nettoyeur de piscine Aiper.
11. Ne faites pas fonctionner votre nettoyeur de piscine Aiper et votre filtre de piscine simultanément.
12. L'étanchéité à l'huile autour du moteur contient de la graisse, ce qui peut provoquer une petite pollution de l'eau si le moteur est endommagé. Si vous pensez qu'il y a une fuite, arrêtez immédiatement d'utiliser l'appareil.
13. Ne percez pas la coque de votre robot de piscine Aiper, ne la jetez pas et ne l'endommagez pas intentionnellement.
14. Lorsque vous mettez votre appareil dans l'eau, l'avant de la machine doit être orienté vers le haut et ne doit jamais être placé à l'envers ou jeté directement dans la piscine.

Merci de lire attentivement ce manuel d' utilisation avant d' utiliser l' appareil.

1. Structure



Crochet



Chargeur

2. Caractéristiques

1. Taille de la piscine : 2 150 pi²/200 m²
2. Entrée du chargeur : Entre 100et240 V, 50et60 Hz, Maximum 2,5A
3. Sortie du chargeur : 29.4 V/3 A
4. Temps de charge : 4 heures
5. Autonomie de la batterie : 180 minutes
6. Classe IP : IPX8 étanche
7. Profondeur maximale de l'eau : 10 pi (3 m)
8. Puissance d'aspiration : 110GPM (420LPM)
9. Batterie : 7 800 mAh (196,56 Wh)
10. Tension de la batterie : 25,2 V

AVERTISSEMENT :

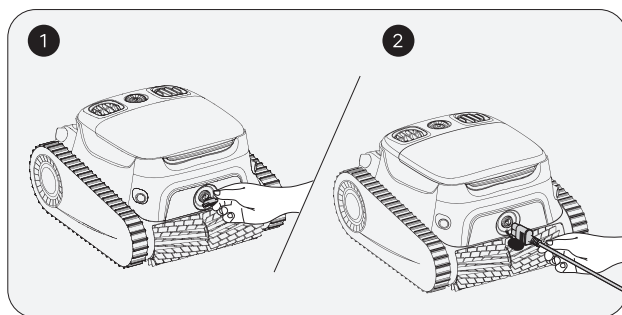
N'utilisez pas l'appareil dans une piscine ne respectant pas les conditions décrites ci-dessous, sous peine d'endommager l'appareil, qui ne serait pas couvert par la garantie.

- Température : Entre 50 et 95°F (entre 10 et 35° C)
- Valeur du pH : Entre 7 et 7,4
- Chlore : Maximum 4 ppm
- NaCl : Maximum 5 000 ppm

3. En charge

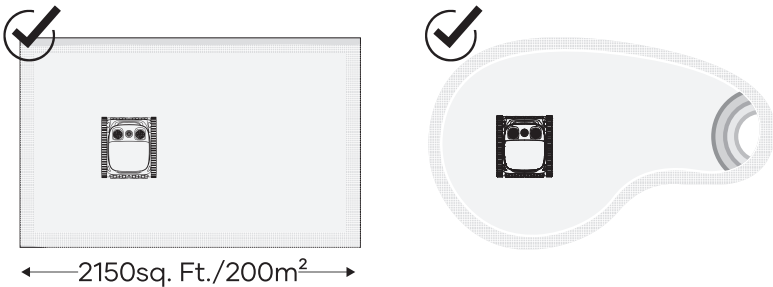
AVERTISSEMENT: Ne chargez pas l'appareil lorsqu'il est exposé au soleil.

- a. Chargez entièrement l' appareil avant de l' utiliser pour nettoyer la piscine.
- b. Avant la charge, retirez le couvercle du port de chargement pour vérifier s' il n' y a pas de trace d' eau à l' intérieur. S' il y en a, essuyez-le avant de le recharger.
- c. Insérez le câble de chargement dans le port de chargement de l' appareil avant de l' insérer dans une prise électrique disponible. Lorsque le voyant LED de l' appareil commence à clignoter, cela indique que l' appareil est en cours de chargement. Le voyant LED reste allumé une fois l'appareil entièrement chargé.



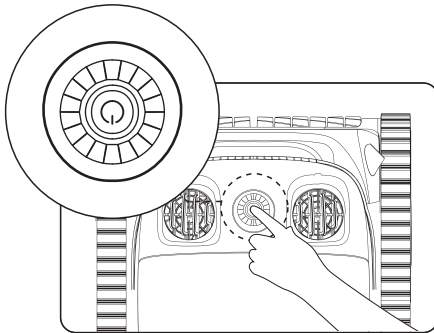
4. Utilisation du nettoyeur de piscine Aiper

- a. Cet appareil est conçu pour le nettoyage du sol, des parois et de la ligne d' eau de la piscine sur une surface allant jusqu' à $2\,150\text{ pi}^2/200\text{ m}^2$.



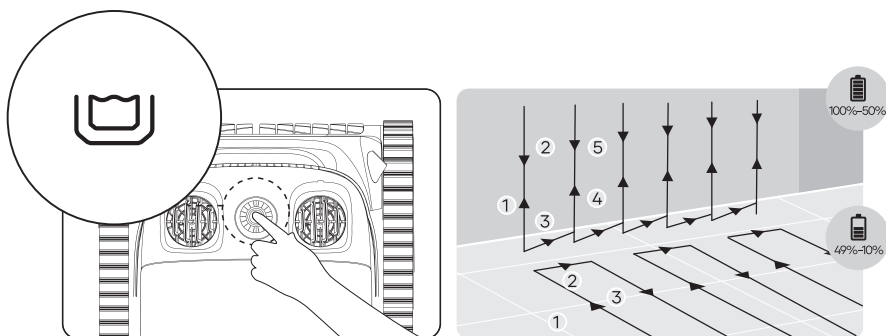
5. Fonctionnement de l'appareil

- a. Appuyez sur le bouton d' alimentation de l' appareil et maintenez-le enfoncé pendant 2 secondes pour l'allumer ou l'éteindre.



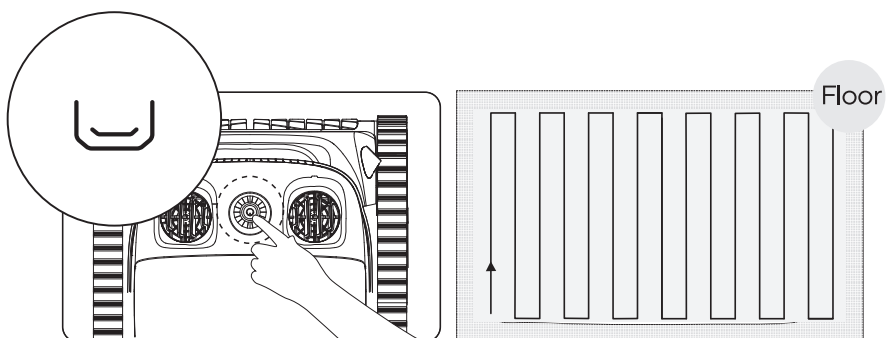
b. Une fois l'appareil allumé, il est en mode Auto (mode auto), qui est le mode par défaut. Appuyez sur le bouton pour basculer entre le Auto (mode auto), Floor (mode nettoyage du sol), Waterline (mode nettoyage de la ligne d'eau), et Eco (mode éco).

1) Auto Mode (mode auto) : L'appareil nettoie le sol et les parois de la piscine. Lorsque la batterie est faible (c'est-à-dire lorsque le voyant LED devient rouge), l'appareil arrête automatiquement le nettoyage et s'amarre.



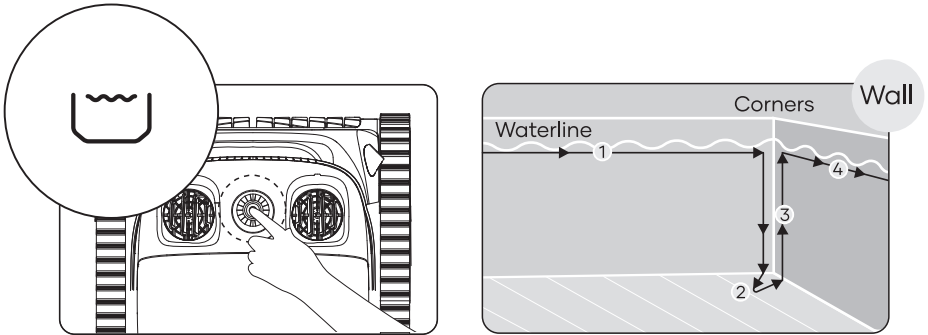
Auto Mode (mode auto) : nettoyage du fond et des parois de la piscine

2) Floor Mode (mode nettoyage du sol) : L'appareil nettoie le sol de la piscine en suivant une trajectoire en S, sans escalader ni nettoyer les parois. Lorsque la batterie est faible, l'appareil arrête automatiquement le nettoyage et s'amarre.



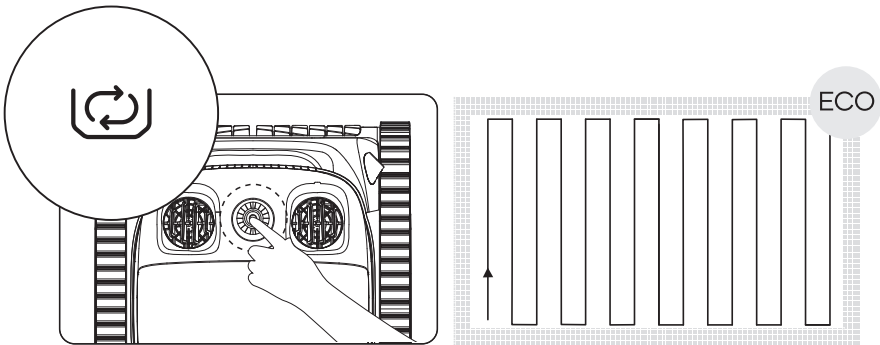
Floor Mode (mode nettoyage du sol)

- 3) Waterline Mode (mode nettoyage de la ligne d' eau) : L' appareil se déplace de façon horizontale et nettoie le long de la ligne d' eau. Lorsqu' il touche les coins ou rencontre des obstacles sur les parois de la piscine, il descend de la ligne d' eau, passe d' une paroi à l' autre ou contourne les obstacles et reprend le nettoyage.



Waterline Mode (mode nettoyage de la ligne d'eau)

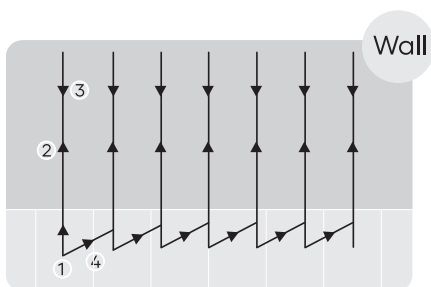
- 4) Eco Mode (mode éco) : Lorsque la batterie est entièrement chargée, l' appareil peut nettoyer le sol de la piscine pendant 45 min une fois toutes les 48 heures, pendant une semaine.



Eco Mode (mode éco)

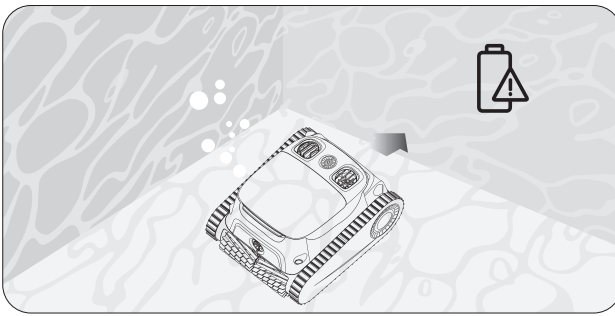
5) Wall Mode (mode nettoyage des parois) : Configurable uniquement via l'application Aiper, l'appareil nettoie uniquement les parois de la piscine en suivant une trajectoire en N. Lorsque la batterie est faible, l'appareil arrête automatiquement le nettoyage et s'amarre.

Remarque : Vous ne pouvez configurer cette fonctionnalité que dans l'application Aiper. De plus, si vous ne disposez pas d'un Aiper HydroComm, vous ne pourrez utiliser l'application que lorsque l'appareil est hors de l'eau. Une fois que l'appareil est sous l'eau, l'application perd le contact avec ce dernier.

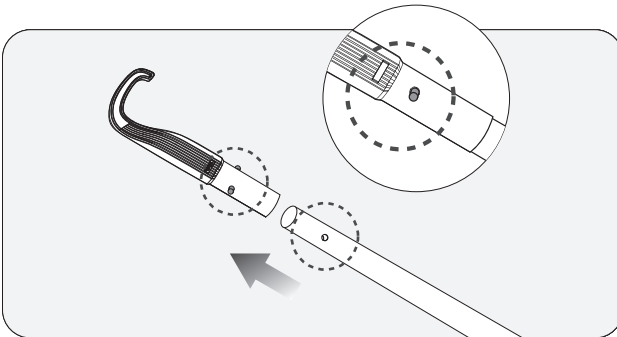


Waterline Mode (mode nettoyage de la ligne d'eau)

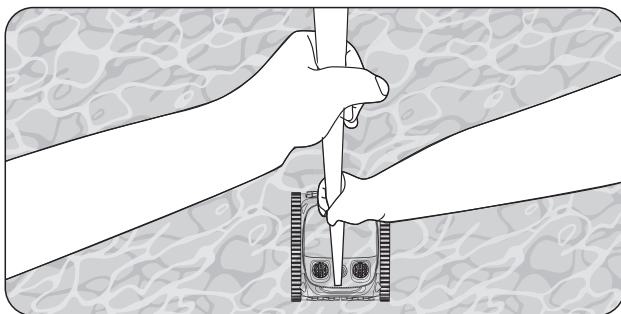
- c. Après avoir sélectionné un mode de nettoyage, l'appareil fait tourner sa pompe à eau toutes les 10 secondes, 3 fois au total, pour vérifier s'il a bien été placé dans la piscine. S'il ne détecte pas la présence d'eau pendant ce processus, il s'éteint automatiquement. L'appareil commence à nettoyer dans les 10 secondes qui suivent son arrivée au fond de la piscine.
- d. Lorsque la batterie est faible, l'appareil arrête automatiquement le nettoyage et s'amarré à la paroi la plus proche.



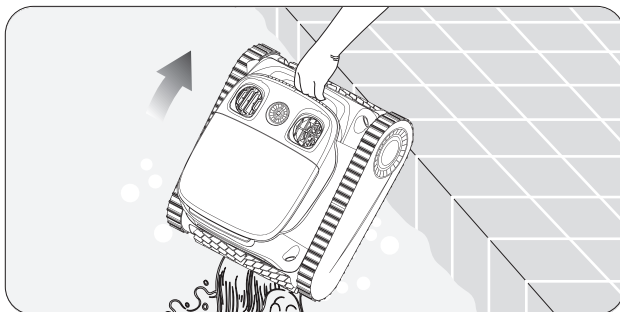
- e. Faites remonter l'appareil du fond de la piscine à l'aide d'un crochet pour éviter de vous mouiller. Les utilisateurs peuvent connecter le crochet à n'importe quelle tige de nettoyage pour piscine (non incluse) pour étendre sa portée.



f. Laissez l'appareil sécher entièrement avant de le ranger.

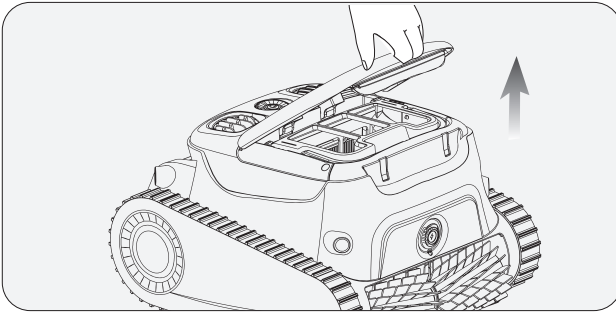


g. Tenez la poignée et laissez l'appareil évacuer l'eau accumulée.

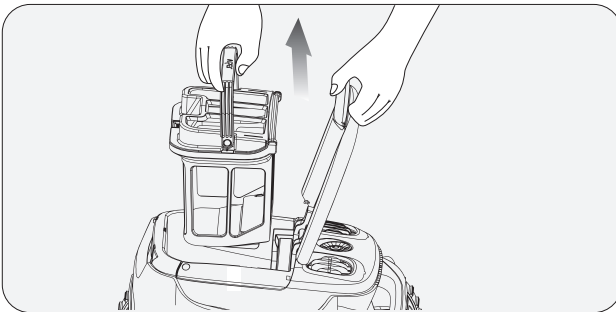


6. Démontage et nettoyage

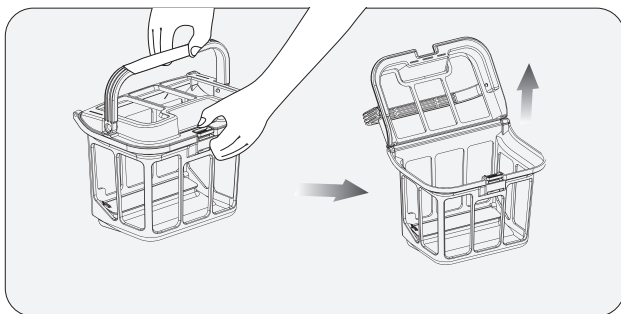
a. Placez l'appareil dans un endroit sûr et retirez la coque supérieure.



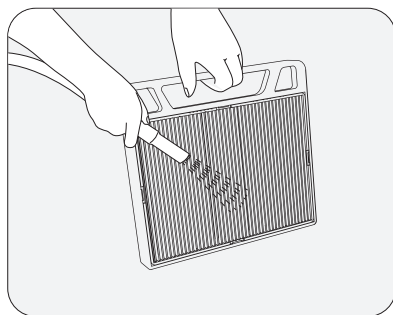
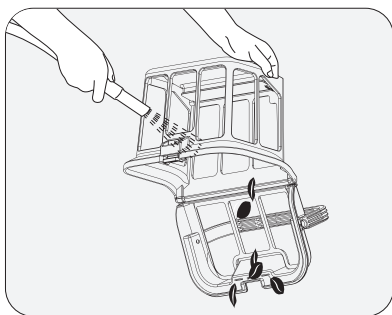
b. Retirez le filtre en soulevant sa poignée.



- c. Appuyez sur le loquet de la coque supérieure du filtre et tirez en même temps sur la poignée du couvercle supérieur pour ouvrir le filtre.



- d. Videz le filtre, rincez-le puis replacez-le dans l'appareil après l'avoir nettoyé.
- e. Veuillez retirer et nettoyer le filtre ultra-fin immédiatement après le nettoyage, afin d'éviter toute accumulation de saletés et de débris pouvant endommager le filtre. Il est recommandé d'utiliser immédiatement un pistolet à eau haute pression pour rincer les débris accumulés.



7. Manuel d'utilisation de l'application Aiper

7.1 Comment télécharger et installer l'application Aiper

- a. Recherchez « Aiper » dans l' App Store de votre appareil, téléchargez et installez l'application sur votre mobile.
- b. Lancez l' application et enregistrez votre compte personnel. Ensuite, connectez-vous à l' application en utilisant l' adresse électronique et le mot de passe que vous avez fournis lors de votre inscription.



7.2 Comment ajouter et utiliser des appareils

- a. Avant d' ajouter un appareil, veuillez vous assurer que :
 - La zone où l' appareil est utilisé dispose d' une couverture Wi-Fi 2.4 G. La couverture Wi-Fi 5 G n' est pas prise en charge.
 - Votre téléphone prend en charge le Wi-Fi et le Bluetooth et que le Bluetooth est activé.
 - Le téléphone se trouve à moins de 6 mètres de votre nouvel appareil.
- b. Cliquez sur l' icône « + » situé dans le coin supérieur droit de la page d' accueil ou de la page de l' application, sélectionnez « Ajouter un appareil » et suivez les instructions y relatives.
- c. Une fois l' appareil ajouté, vous pouvez configurer et visualiser votre appareil Aiper et ses fonctionnalités dans l' application Aiper.

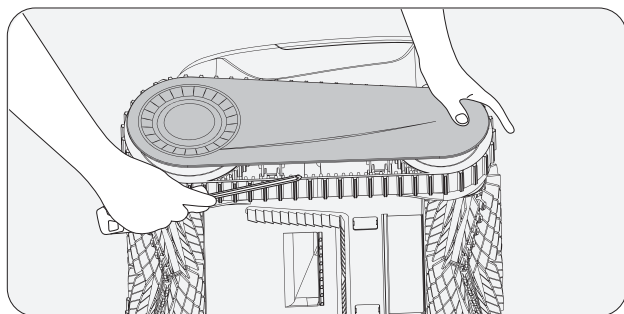
Remarque : Si vous ne disposez pas d' un Aiper HydroComm , vous ne pourrez avoir accès à certaines fonctionnalités de l' appareil que lorsqu' il est hors de l' eau. Une fois immergé, vous perdrez la connexion avec votre appareil et ne pourrez plus le contrôler via l' application.

L'Aiper Hydrocomm assure une communication sous l' eau et la connexion de votre appareil Aiper à Internet, offrant ainsi des fonctionnalités telles que le rappel de la ligne d' eau, le contrôle en temps réel, le changement du mode de nettoyage sous l' eau, la surveillance de la qualité de l' eau 24 h/24 et 7 jours/7 et le signalement des pannes en temps réel. Aiper est à votre disposition pour tout renseignement concernant les achats.

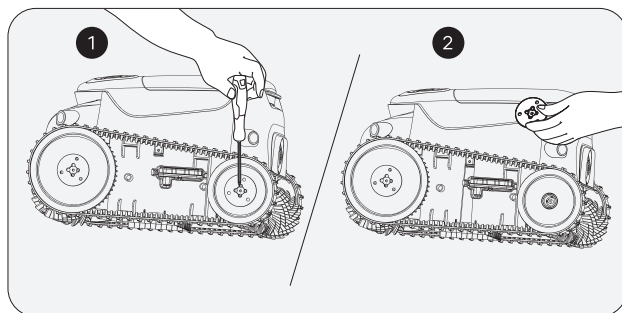
8. Maintenance

8.1 Remplacement des chenilles.

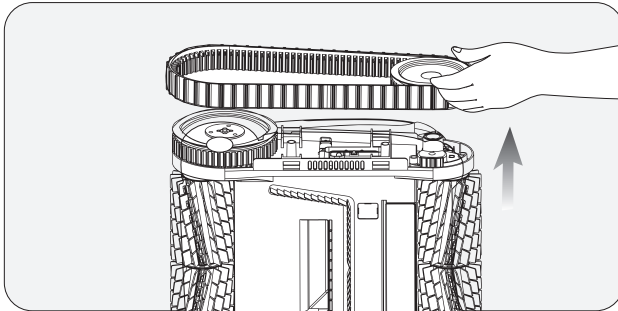
a. Retirez la plaque de protection latérale de l'appareil.



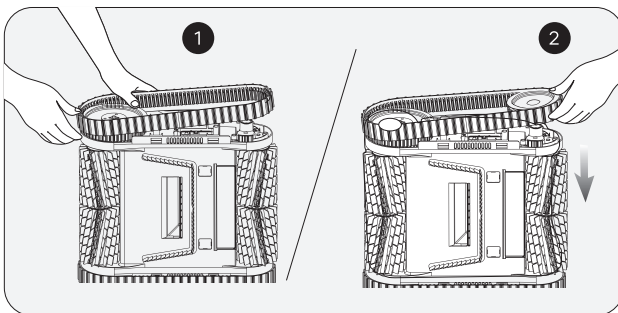
b. Retirez les vis et les douilles de guidage des roues.



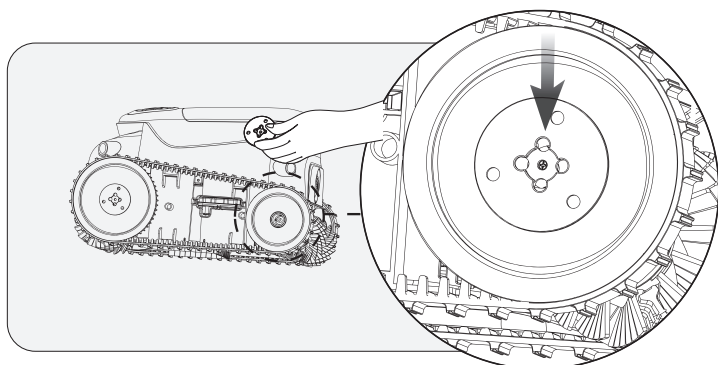
c. Tirez sur les roues et la chenille ensemble pour les démonter.



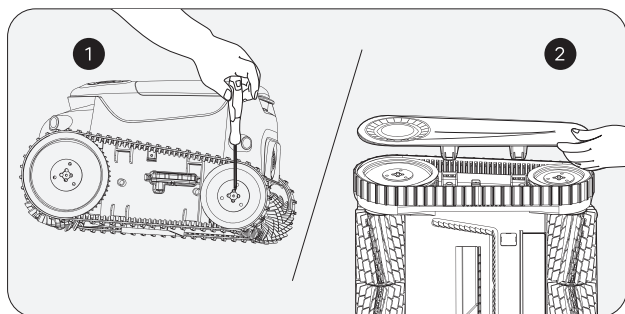
d. Adaptez les engrenages des nouvelles chenilles à ceux des deux roues, puis remontez les roues arrière et les chenilles ensemble sur les manchons bout d'arbre.



e. Réinstallez les douilles de guidage en adaptant leurs ouvertures en forme de D à celles des manchons bout d'arbre.

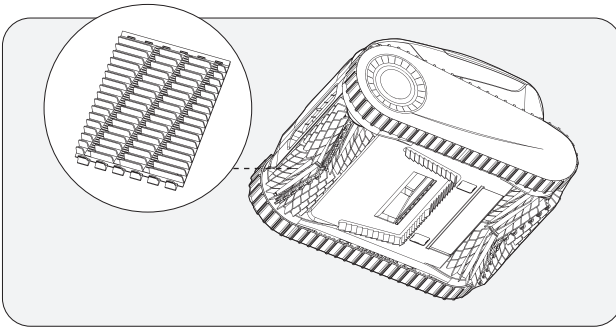


f. Serrez les vis et réinstallez la plaque de protection latérale.

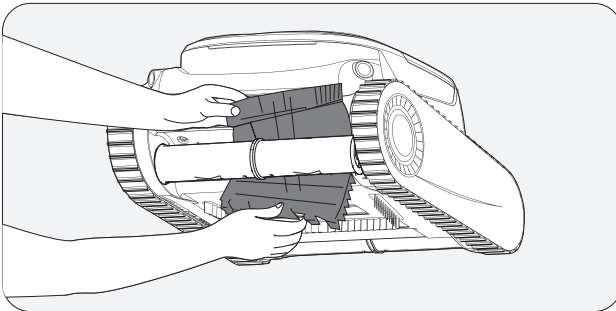


8.2 Remplacement de la courroie du rouleau-brosse.

- a. Repérez le côté qui semble différent des autres courroies du rouleau-brosse et retirez les boucles en silicone qui sont coincées dans la fente fixe.

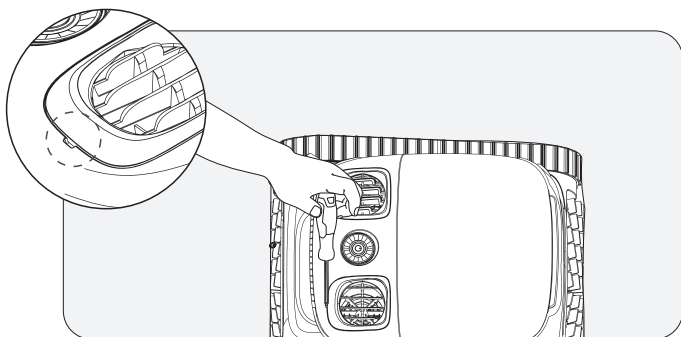


- b. Une fois toutes les boucles en silicone retirées, remplacez la courroie du rouleau-brosse. Adaptez les boucles en silicone à la fente fixe et tirez-les vers l'extérieur. Elles peuvent être fixées après leur passage dans la fente.

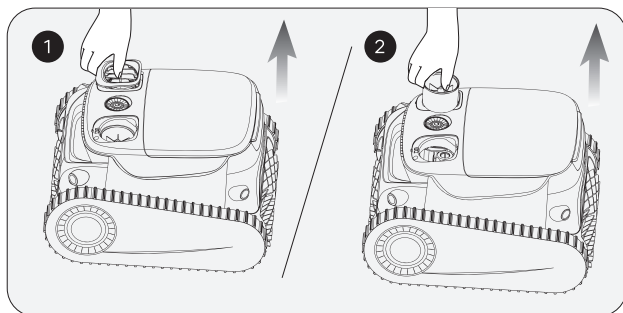


8.3 Nettoyage du drain.

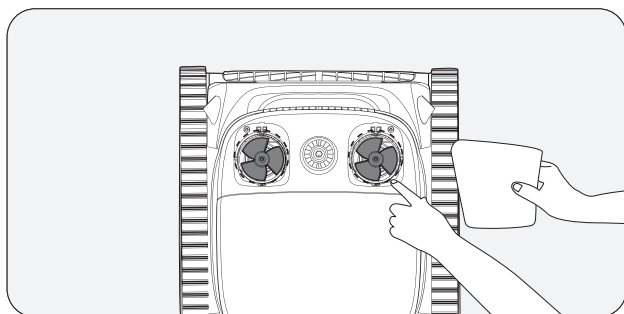
a. Soulevez la coque supérieure.



b. Retirez les vis et le couvercle du drain.



- c. Retirez tout objet coincé dans les pales du ventilateur du drain, puis réinstallez son couvercle et les vis.



9. Stockage

Conseils hivernaux : comment stocker et sécuriser vos appareils Aiper

Comment dois-je stocker mon appareil Aiper hors saison ?

Pour la période hors saison de votre piscine, par exemple, durant les mois d'hiver ou de longues vacances pendant lesquelles votre appareil Aiper ne sera pas utilisé, il y a quelques étapes à suivre afin de protéger votre appareil et de le garder dans le meilleur état possible.

1. Éteignez votre appareil et déconnectez-le de son chargeur.
2. Éliminez tout résidu de saleté de votre appareil, notamment du haut et du bas de sa coque, de ses roulettes, de ses brosses roulantes et de son port de rechargement.
3. Essuyez votre appareil à l'aide d'une serviette en papier ou d'un chiffon doux afin qu'il soit sec.
4. Rangez votre appareil dans son emballage et stockez-le à un endroit frais bien ventilé.
5. Rechargez la batterie de votre appareil à 40 à 60 % tous les DEUX mois pour en préserver l'intégrité.

Lorsque vous serez prêt à utiliser votre appareil Aiper dans votre piscine, rechargez-le complètement avant de le faire et ne le rechargez jamais à la lumière directe du soleil.

10. Voyants lumineux LED

État de la lumière	État de l'appareil	Description	
Impulsion lumineuse	En charge	La couleur du voyant LED change en fonction du niveau de la batterie. Le voyant lumineux émet des impulsions lumineuses lentes pendant la charge et une lumière vive lorsque l' appareil est complètement chargé.	Lumière bleue allumée en continu : 100 %
			Bleue : > 51 %
			Jaune : Entre 50 et 16 %
			Rouge : < 15 %
Lumière vive	Fonctionnement	La couleur du voyant LED change en fonction du niveau de la batterie.	Bleue : > 51 %
			Jaune : Entre 50 et 16 %
			Rouge : < 15 %
Le voyant rouge clignote rapidement	Dysfonctionnement de l'appareil	Blocage de l' écran du filtre, blocage du moteur, fuite électrique, etc.	

11. Liste d'emballage

N°	Nom	Modèle	Qté (pc)
1	Nettoyeur	Aiper Scuba N1 Pro	1
2	Chargeur	/	1
3	Crochet de récupération	/	1
4	Manuel d'utilisation	/	1
5	Brosses PVC supplémentaires	/	2
6	Filtres ultrafins supplémentaires de 3 µm	/	2

12. Garantie

Ce produit a passé avec succès tous les contrôles de qualité et les tests de sécurité, effectués par le département technique de l'usine.

1. Ce produit est livré avec une garantie qui couvre la batterie et le moteur à partir de la date d'achat. Les dispositions légales du pays concerné pour les conditions de garantie s'appliquent en conséquence.
2. Cette garantie est annulée si le produit a été modifié, mal utilisé ou réparé par des personnes non autorisées.
3. Seules les défauts de fabrication sont couvertes par la garantie, qui ne couvre pas les dommages résultant d'une mauvaise manipulation du produit par le propriétaire.
4. Pendant la période de garantie, le numéro de commande ou l'enregistrement doit être présenté pour toute réclamation ou réparation.



Ce symbole indique que ce produit ne doit pas être traité en tant que déchet ménager. Il doit au lieu de cela être remis à un point de collecte applicable pour le recyclage des équipements électriques et électroniques.

Gracias por elegir Aiper.

Usted acaba de unirse a una familia de millones que ya han puesto su confianza en Aiper para que limpie sus piscinas; prepárese para disfrutar de una piscina limpia e impoluta.

Este manual del usuario le ayudará a mantener su limpiador de piscina Aiper, para que funcione de la forma más eficaz para los años que vienen. Tómese unos minutos para leer todo el manual.

Si tiene alguna pregunta, visite nuestro sitio web en www.aiper.com, y póngase en contacto con nuestro servicio de atención al cliente para recibir atención o más información.

Servicio de atención al cliente de Aiper:

US Toll-Free: 1-866-850-0666

AU Toll-Free: +61(180)049-7023

Email: service@aiper.com

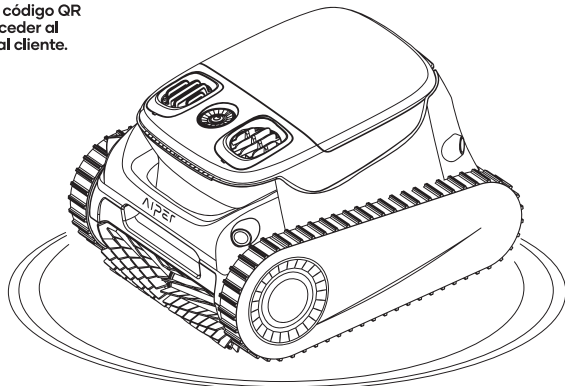
Facebook: @AiperOfficial



Escanee para
ver una guía
en vídeo



Escanee el código QR
para acceder al
soporte al cliente.



Español**CONTENIDOS**

Precauciones de seguridad importantes	52
1. Estructura	53
2. Especificaciones y condiciones de trabajo	54
3. Cargando	55
4. Uso de su limpiafondos Aiper	56
5. Funcionamiento del aparato	56
6. Desmontaje y limpieza	62
7. Guía del usuario de la aplicación Aiper	64
8. Mantenimiento	65
9. Almacenamiento	71
10. Luces LED indicadoras	72
11. Lista de empaque	73
12. Garantía	73

Precauciones de seguridad importantes

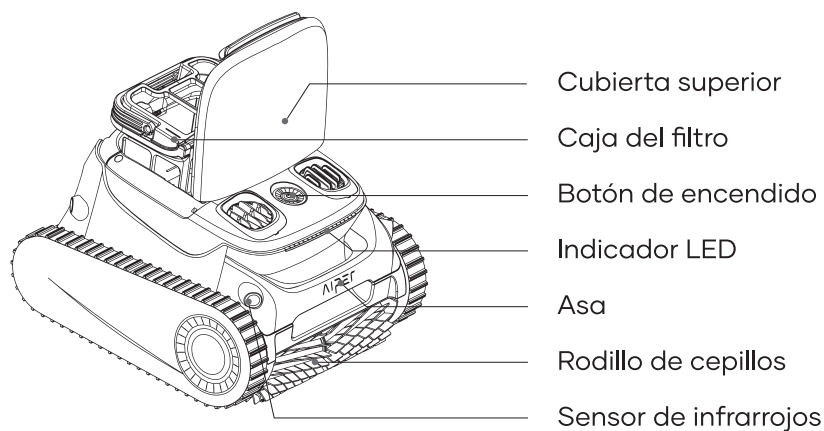
Lea este manual detenidamente y use su limpiador de piscina Aiper según sus instrucciones. Aiper no será responsable por ninguna pérdida o lesión causado por el uso inadecuado de este dispositivo.

Para su seguridad y el rendimiento óptimo de este dispositivo, lea y siga las siguientes sugerencias.

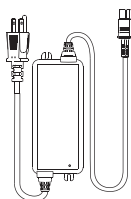
1. No opere su limpiador de piscina Aiper mientras haya personas o animales en la piscina.
2. Cuando no use el limpiador, o realice las tareas de mantenimiento, apáguelo
3. No permita que los niños se suban al limpiador de piscina Aiper en ninguna circunstancia. Supervise a los niños cuando estén cerca de un limpiador de piscina Aiper en funcionamiento.
4. Sólo use adaptadores de corriente autorizados por Aiper.
5. El cable del adaptador debe ser reemplazado por un electricista calificado, o por el servicio de Cuidado al Cliente de Aiper, únicamente
6. Se recomienda enchufar el adaptador de corriente a una regleta, o a un estabilizador, y no a un tomacorriente de forma directa.
7. Antes de cargar su dispositivo, asegúrese de que esté apagado y de que su puerto de carga esté seco. Durante la carga, ponga su limpiador de piscina Aiper en un lugar seco. No cubra su limpiador de piscina Aiper mientras lo carga, ya que sus componentes podrían sobrecalentarse.
8. Cuando no use la máquina guárdela en interiores o en un lugar fresco.
9. No haga funcionar su limpiador de piscina Aiper fuera del agua, ya que podría sobrecalentarse.
10. El kit de conducción sellado de su limpiador de piscina Aiper sólo puede ser desarmado por un profesional certificado.
11. No opere su limpiador de piscina Aiper y el filtro de piscina de forma simultánea.
12. El sellado de aceite alrededor del motor contiene grasa, lo que pueda causar una ligera contaminación del agua si el motor se daña. Si cree que hay una pérdida, deja de usar la unidad de inmediato.
13. No perfora la carcasa de su limpiador de piscina Aiper, ni lo arroje o dañe de forma intencional.
14. Al colocar su dispositivo dentro del agua, asegúrese de que el frente de la máquina apunte hacia arriba y nunca esté boca abajo ni tirar de manera directa hacia la piscina.

Lea atentamente este manual de usuario antes de utilizar el aparato.

1. Estructura



Gancho



Cargador

2. Especificaciones y condiciones de trabajo

1. Tamaño de la piscina: 200 m²
2. Entrada del cargador: 100~240V, 50~60Hz, Máximo 2,5 A
3. Salida del cargador: 29.4 V/3 A
4. Tiempo de carga: 4 horas
5. Duración de la batería: 180 minutos
6. Grado IP: IPX8 Resistente al agua
7. Profundidad máxima del agua: 3 m
8. Potencia de succión: 110GPM (420LPM)
9. Batería: 7800 mAh (196,56 Wh)
10. Voltaje de la batería: 25,2 V

PRECAUCIÓN:

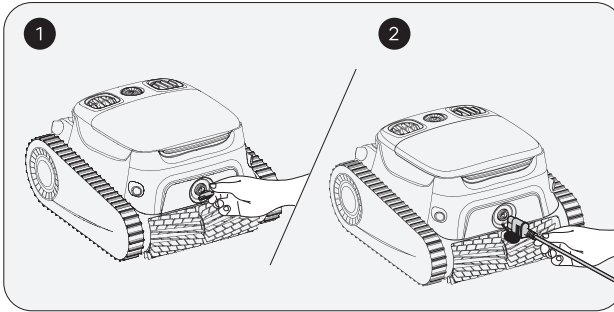
No utilice el dispositivo en un entorno de piscina más allá de las condiciones descritas a continuación, hacerlo puede causar daños al dispositivo que no serán cubiertos por su garantía.

- Temperatura 10-35 °C
- Valor de pH: 7,0-7,4
- Cloro: Máximo 4 ppm
- NaCl: Máximo 5000 ppm

3. Cargando

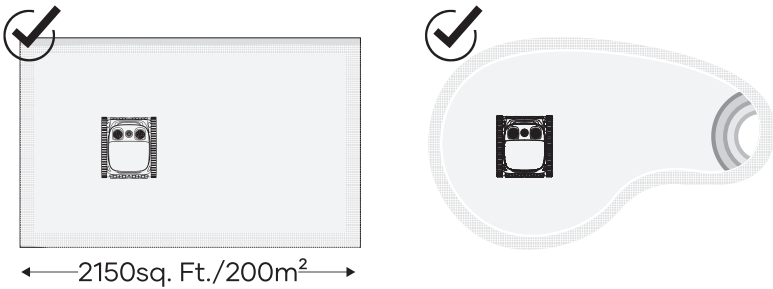
PRECAUCIÓN: No cargue el aparato bajo la luz directa del sol.

- a. Cargue completamente el dispositivo antes de utilizarlo para limpiar su piscina.
- b. Antes de cargarlo, retire la tapa del puerto de carga para comprobar si hay agua residual en el puerto de carga. Si es así, seque el puerto de carga antes de cargarlo.
- c. Inserte el cable de carga en el puerto de carga del aparato y, a continuación, en una toma de corriente disponible. El indicador LED del dispositivo empezará a parpadear, indicando que el dispositivo se está cargando. Cuando esté completamente cargado, el indicador LED permanecerá encendido.



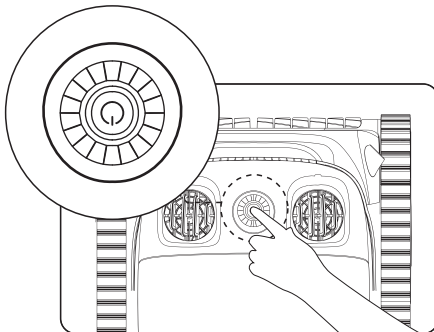
4. Uso de su limpiafondos Aiper

- a. Este aparato es adecuado para limpiar el suelo, las paredes y las líneas de flotación de su piscina en una superficie de hasta 200 m².

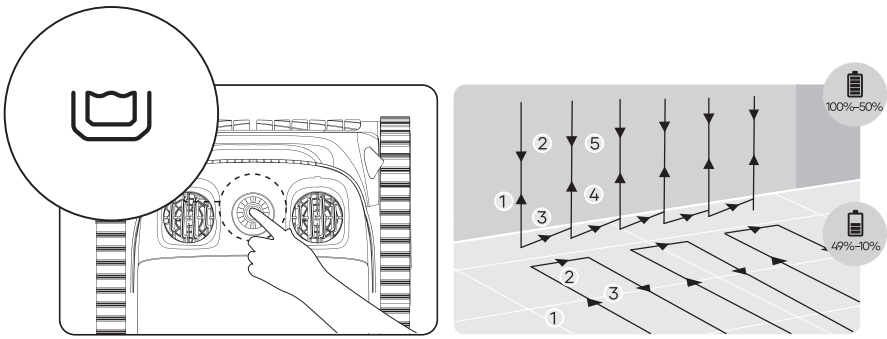


5. Funcionamiento del aparato

- a. Mantenga pulsado el botón de encendido durante 2 segundos para encender o apagar el aparato.

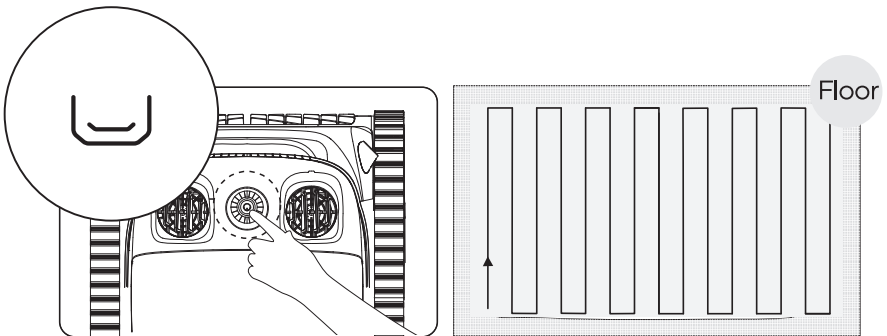


- b. El modo automático es el modo predeterminado para este dispositivo una vez encendido. Pulse el botón para cambiar entre los modos Auto (Auto), Floor (Suelo), Waterline (Línea de flotación) y Eco (Eco).
- 1) Modo Auto (Auto): El aparato limpiará el suelo y las paredes de su piscina. Cuando el nivel de batería sea bajo (el indicador LED se ilumina en rojo fijo), el aparato dejará de limpiar automáticamente y se acoplará.



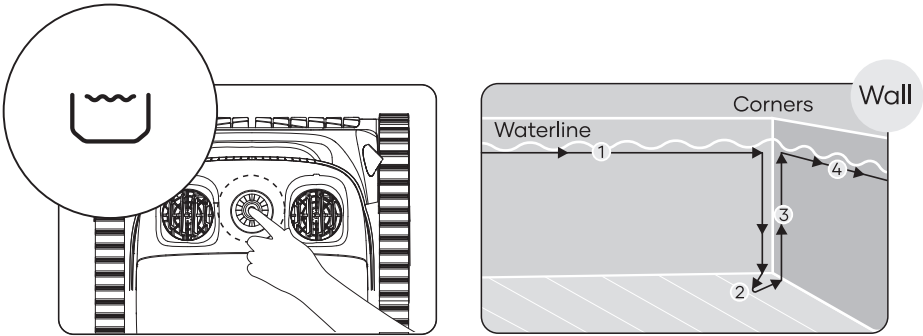
Modo Auto: limpieza del fondo y las paredes de la piscina

- 2) Modo Floor (Suelo): El aparato limpiará el fondo de la piscina en un recorrido en forma de S, sin subir ni limpiar las paredes. Cuando el nivel de batería sea bajo, el aparato dejará de limpiar automáticamente y se acoplará.



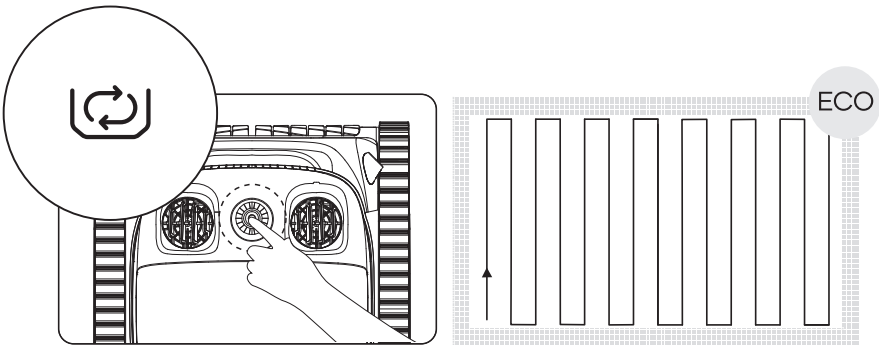
Modo Suelo

- 3) Modo Waterline (Línea de flotación): El aparato se moverá horizontalmente y limpiará a lo largo de la línea de flotación. Cuando se encuentre con esquinas u obstáculos en las paredes de la piscina, descenderá de la línea de flotación, cambiará de pared o sorteará los obstáculos y reanudará la limpieza.



Modo línea de flotación

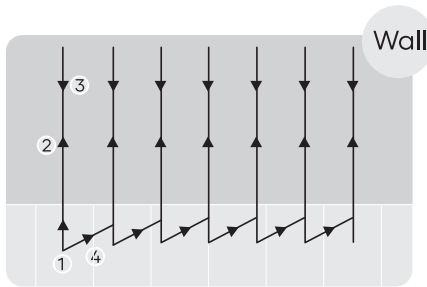
- 4) Modo Eco (Eco): Con una batería completamente cargada, el aparato limpiará el fondo de su piscina durante 45 minutos una vez cada 48 horas durante una semana.



Modo Eco

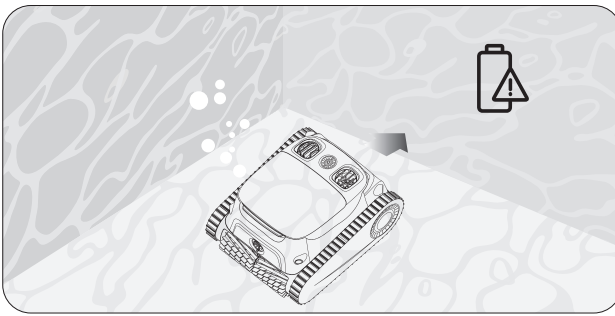
5) Modo Wall (Pared): Solo configurable a través de la APP Aiper, el dispositivo limpiará las paredes de la piscina en un recorrido en forma de N, y no limpiará el suelo. Cuando el nivel de batería sea bajo, el aparato dejará de limpiar automáticamente y se acoplará.

Nota: Esta función solo es configurable en la APP Aiper. Además, si no ha adquirido Aiper Hydrocomm, la APP solo se puede utilizar cuando el dispositivo está fuera del agua. Una vez que el dispositivo esté bajo el agua, la APP perderá la conexión con él.

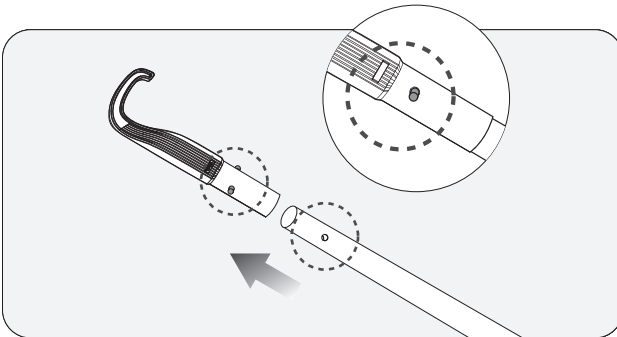


Modo línea de flotación

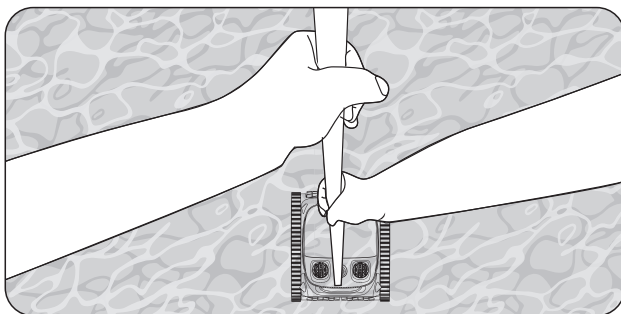
- c. Después de seleccionar un modo de limpieza, el dispositivo hará girar su bomba de agua cada 10 segundos, 3 veces en total, para comprobar si se ha introducido en la piscina. Si el aparato no detecta agua durante este proceso, se apagará automáticamente. El aparato empezará a limpiar a los 10 segundos de llegar al fondo de la piscina.
- d. Cuando el nivel de batería sea bajo, el aparato dejará de limpiar automáticamente y se acoplará a la pared más cercana.



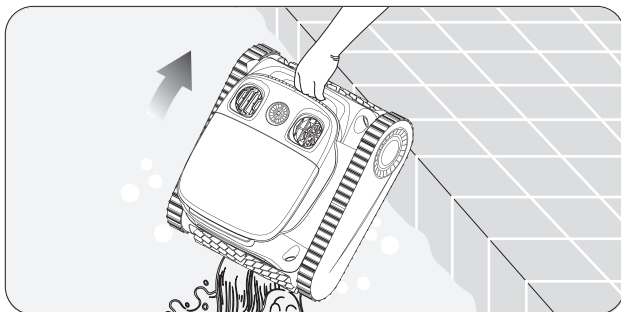
- e. Levante el dispositivo del suelo de la piscina con un gancho para evitar que se moje. Los usuarios pueden conectar el gancho a cualquier varilla estándar de limpieza de piscinas (no incluida) para ampliar el alcance del gancho.



- f. Deje que el dispositivo drene el agua almacenada antes de guardarlo.

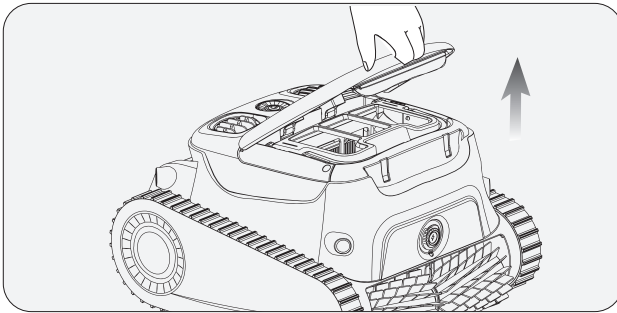


- g. Sujete el asa y deje que el dispositivo drene el agua acumulada.

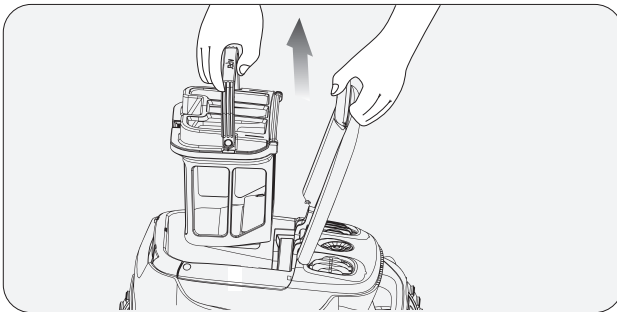


6. Desmontaje y limpieza

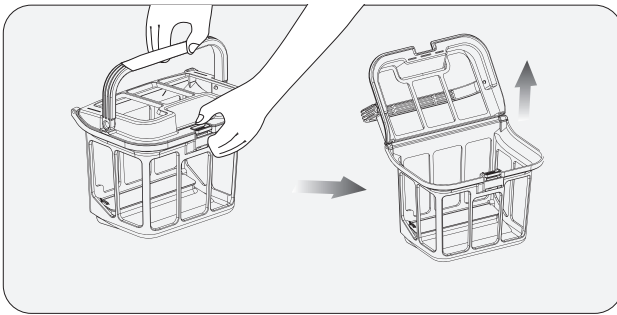
a. Guarde el aparato en un lugar seguro y abra la cubierta superior.



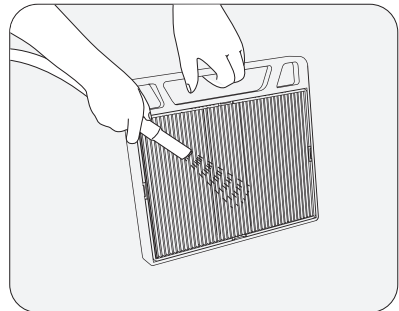
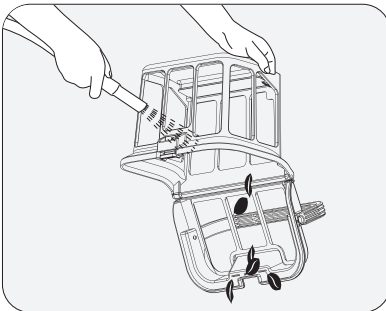
b. Retire la Caja del Filtro levantando su asa.



- c. Presione el pestillo de la cubierta superior de la caja del filtro y al mismo tiempo tire hacia arriba del asa de la cubierta superior para abrir la caja del filtro.



- d. Vacíe la Caja del Filtro, enjuáguela y vuelva a colocarla en el aparato una vez limpia.
- e. Por favor, retire y limpie el filtro ultrafino inmediatamente después de finalizar la limpieza para evitar la acumulación de suciedad y residuos que puedan dañar el filtro. Se recomienda utilizar una pistola de agua a alta presión para eliminar inmediatamente cualquier residuo acumulado.



7. Guía del usuario de la aplicación Aiper

7.1 Cómo descargar e instalar Aiper en la App Store

- a. Busque "Aiper" en la App store de su dispositivo, descargue e instale la APP en tu móvil.
- b. Abra la APP y registre su cuenta personal. A continuación, inicie sesión en la APP utilizando el correo electrónico y la contraseña que proporcionó durante el registro.



7.2 Cómo añadir y utilizar dispositivos

- a. Antes de añadir un dispositivo, confirme lo siguiente:
 - La zona donde se utiliza el dispositivo tiene cobertura Wi-Fi 2.4G. No se admite Wi-Fi 5G.
 - El teléfono es compatible con Wi-Fi y Bluetooth, y Bluetooth está activado.
 - El teléfono se encuentra a menos de 6 metros del nuevo dispositivo.
- b. Toque el "+" en la esquina superior derecha de la página de inicio o página de la App, seleccione "Añadir dispositivo" y siga las instrucciones para añadir el dispositivo.
- c. Después de añadir el dispositivo, puede configurar y ver su dispositivo Aiper y sus funciones en la APP Aiper.

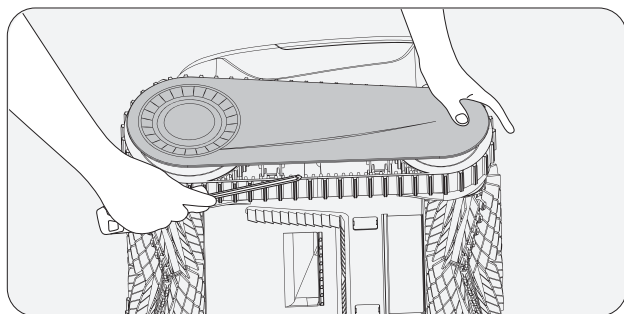
Nota: Si no ha adquirido Aiper Hydrocomm, algunas características de su dispositivo solo serán accesibles mientras su dispositivo esté fuera del agua. Una vez sumergido, perderá la conexión y no podrá controlar su dispositivo a través de la APP.

Aiper Hydrocomm permite la comunicación bajo el agua y la conectividad a Internet para su dispositivo Aiper, ofreciendo características tales como la recuperación de la línea de flotación, el control en tiempo real, el cambio de modo de limpieza bajo el agua, la monitorización de la calidad del agua en todo momento y la notificación de fallos en tiempo real. Las consultas para la compra son bienvenidas en Aiper.

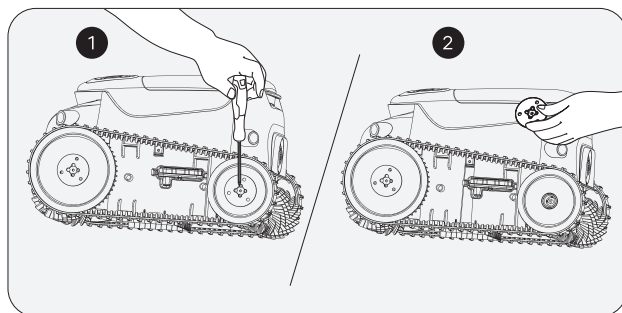
8. Mantenimiento

8.1 Sustitución de las orugas.

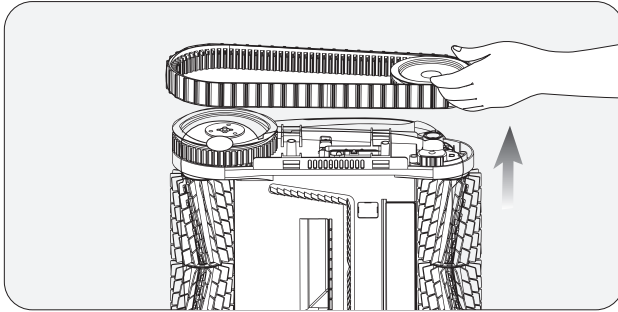
a. Retire la cubierta lateral del aparato.



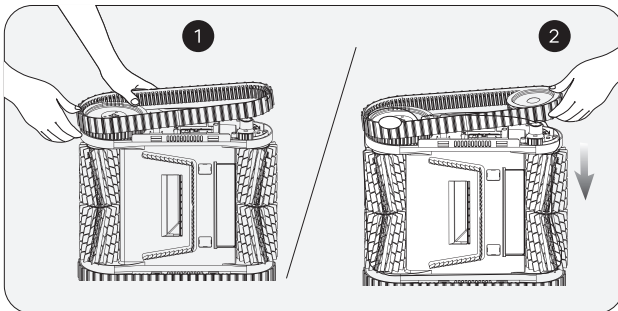
b. Retire los tornillos y los manguitos guía de las ruedas.



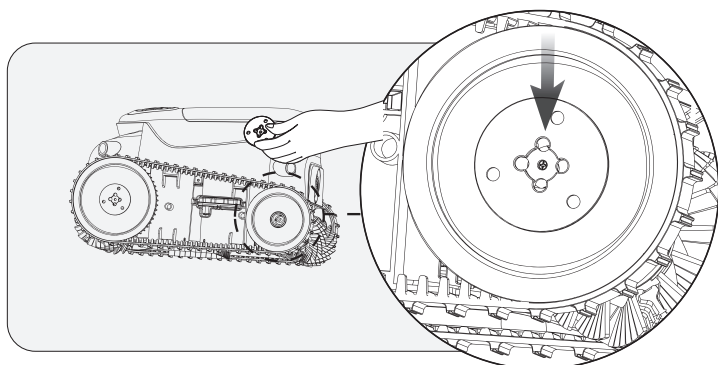
c. Tire de las ruedas y la oruga juntas para retirarlas.



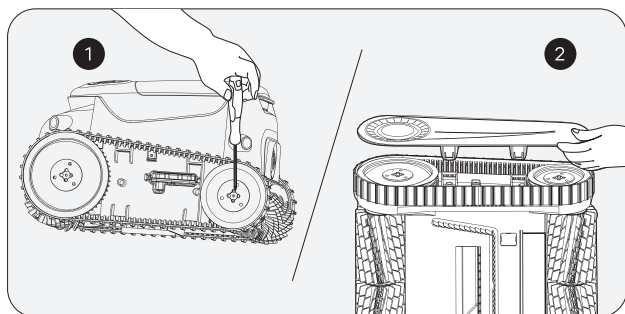
d. Alinee los engranajes de las nuevas orugas con los engranajes de ambas ruedas y, a continuación, vuelva a instalar las ruedas traseras y las orugas juntas en los casquillos del eje.



- e. Vuelva a instalar los manguitos guía alineando sus aberturas en forma de D con la de los manguitos del eje.

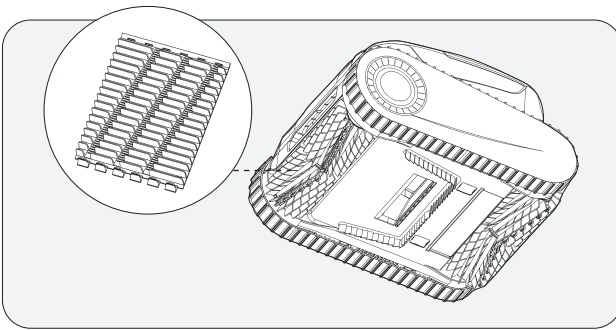


- f. Apriete los tornillos y vuelva a montar la cubierta lateral.

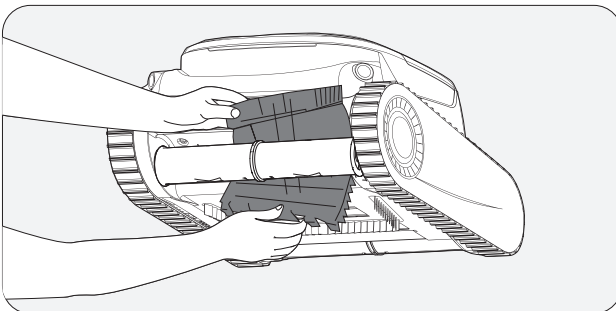


8.2 Sustitución de la correa del rodillo de cepillos.

- a. Busque el lado que parece diferente de las otras correas de cepillos de rodillos y retire las hebillas de silicona que están atascadas en la ranura fija.

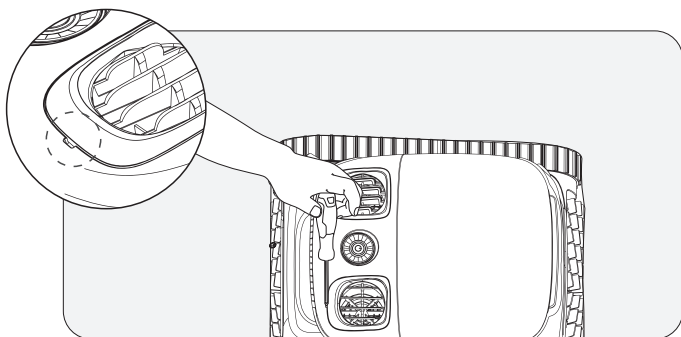


- b. Una vez retiradas todas las hebillas de silicona, vuelva a colocar la correa del cepillo de rodillos. Alinee las hebillas de silicona con la ranura fija y tire de ellas hacia fuera. Se pueden fijar después de pasar por la ranura.

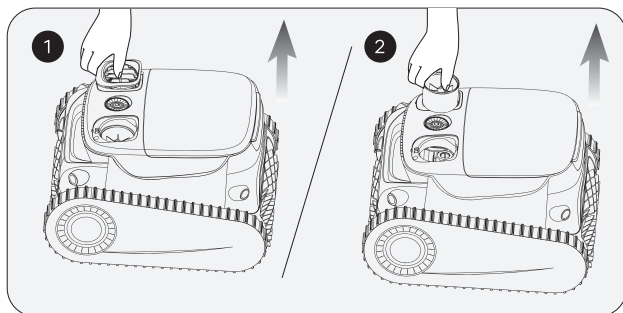


8.3 Limpieza del desagüe.

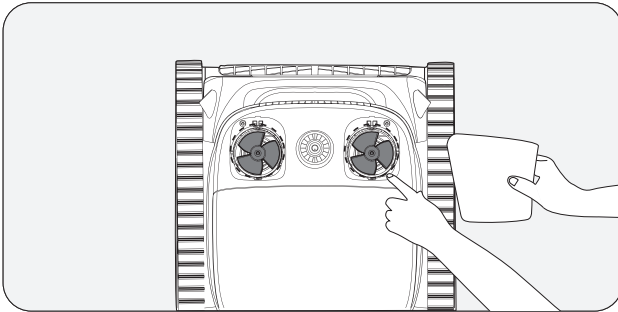
a. Levante la cubierta superior.



b. Retire los tornillos y la tapa del desagüe.



- c. Retire cualquier objeto enredado en las aspas del ventilador del desagüe y, a continuación, vuelva a instalar la tapa del desagüe y los tornillos.



9. Almacenamiento

Consejos para el invierno: ¿cómo guardar y proteger sus productos Aiper?

¿Cómo debería guardar mi producto Aiper cuando no sea temporada?

Fuera de la temporada de piscina, como los meses de invierno o vacaciones prolongadas en las que no vaya a utilizar su producto Aiper, puede seguir una serie de pasos para protegerlo y mantenerlo en las mejores condiciones posibles.

1. Apague y desconecte del cargador el producto.
2. Limpie el producto, incluidas las cubiertas superior e inferior, las ruedas, los cepillos de rodillo y el puerto de carga de cualquier resto de suciedad.
3. Seque el producto con una toalla de papel o paño suave.
4. Guarde el producto en la caja y almacénelo en una zona fresca y bien ventilada.
5. Cargue el producto cada DOS meses hasta que alcance el 40-60 % de capacidad de la batería para mantenerla en buen estado.

Cuando vaya a usar el producto Aiper en su piscina, cárguelo por completo (nunca bajo la luz solar directa) antes de utilizarlo.

10. Luces LED indicadoras

Estado de la luz	Estado del dispositivo	Descripción	
Luz intermitente	Cargando	El color del indicador LED cambia según el nivel de carga de la batería. La luz indicadora parpadea lentamente durante la carga y se enciende cuando está completamente cargada.	Luz azul siempre encendida: 100 %
			Azul: > 51%
			Amarillo: 50-16%
			Rojo: < 15%
Luz sólida	En funcionamiento	El color del indicador LED cambia según el nivel de carga de la batería.	Azul: > 51%
			Amarillo: 50-16%
			Rojo: < 15%
La luz roja parpadea rápidamente	Mal funcionamiento del aparato	Obstrucción de la malla del filtro, calado del motor, fuga eléctrica, etc.	

11. Lista de empaque

Nº	Nombre	Modelo	Cantidad (ud)
1	Limpiador	Aiper Scuba N1 Pro	1
2	Cargador	/	1
3	Gancho de recuperación	/	1
4	Manual del usuario	/	1
5	Cepillos de PVC adicionales	/	2
6	Filtros ultrafinos adicionales de 3 µm	/	2

12. Garantía

Este producto ha superado el control de calidad y la prueba de seguridad realizada por nuestros técnicos.

1. Este producto viene con una garantía de 24 meses que cubre la batería y el motor, a partir de la fecha de compra.
2. Esta garantía quedará nula si el producto es alterado, usado de forma inadecuado, o reparado por una persona no autorizada.
3. Esta garantía se otorga para cubrir defectos de fabricación, y no cubre los daños resultantes del mal uso del producto por parte del dueño.
4. El número de orden, o el registro de compra, debe presentarse junto a toda solicitud de reparación durante el periodo de garantía.



Este símbolo indica que este producto no debe tratarse como un residuo doméstico. Deberá llevarse al punto de recogida para el reciclaje de aparatos eléctricos y electrónicos que corresponda.

AIPEER®

— bring vacation home —



www.aiper.com