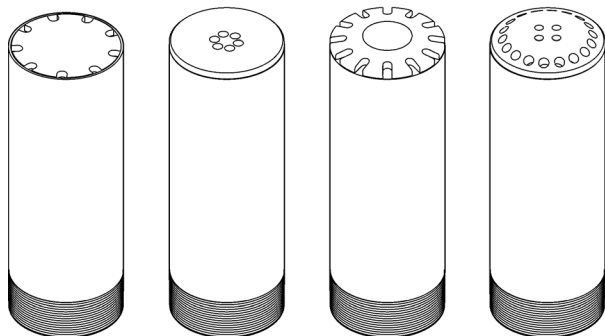


Oase

PROFESSIONAL



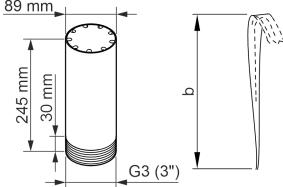
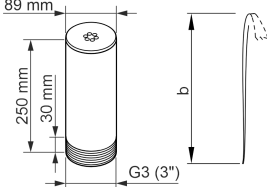
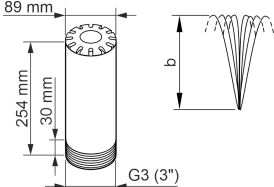
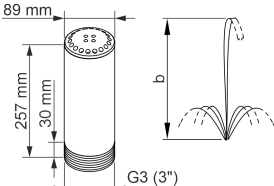


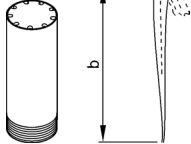
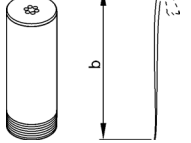
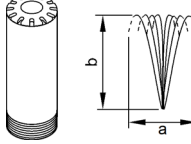
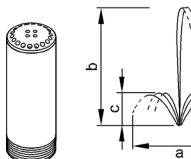
Geyser Jet 30

High Jet 30

Grand Vulkan 30

Trumpet Jet 30

| | | b [m] |  [l/min] |  [bar] | | |
|-----------------------|---|------------------------|--|--|-----|------|
| Geyser Jet 30 |  | 8 | 226 | 1.15 | | |
| | | 9 | 240 | 1.29 | | |
| | | 10 | 253 | 1.44 | | |
| | | 11 | 266 | 1.59 | | |
| | | 12 | 278 | 1.74 | | |
| | | 13 | 289 | 1.89 | | |
| | | 14 | 299 | 2.04 | | |
| | | 15 | 310 | 2.19 | | |
| | | 16 | 320 | 2.35 | | |
| High Jet 30 |  | 5 | 347 | 0.81 | | |
| | | 6 | 381 | 0.98 | | |
| | | 7 | 411 | 1.14 | | |
| | | 8 | 440 | 1.31 | | |
| | | 9 | 466 | 1.48 | | |
| | | 10 | 492 | 1.65 | | |
| | | 11 | 515 | 1.82 | | |
| | | 12 | 539 | 1.99 | | |
| | | Grand Vulkan 30 |  | 3 | 450 | 0.45 |
| | | | | 3 | 487 | 0.53 |
| | | | | 4 | 520 | 0.61 |
| | | | | 4 | 552 | 0.68 |
| 5 | 582 | | | 0.76 | | |
| 6 | 638 | | | 0.92 | | |
| 7 | 689 | | | 1.07 | | |
| 8 | 737 | | | 1.23 | | |
| Trumpet Jet 30 |  | 5 | 363 | 1.00 | | |
| | | 6 | 397 | 1.20 | | |
| | | 7 | 429 | 1.40 | | |
| | | 8 | 459 | 1.68 | | |
| | | 9 | 487 | 1.85 | | |
| | | 10 | 513 | 2.05 | | |

| | | MIDI II, MAXI II | | | MIDI II, MAXI II (USA) | | | | |
|------------------------|---|------------------|-------|-------|------------------------|------------------------------|--------|------|-----|
| | | a [m] | b [m] | c [m] | a [ft] | b [ft] | c [ft] | | |
| Geyser Jet 30 |  | 1.1 kW / 230 V | - | 5 | - | 2 HP / 230 V Single Phase | - | 23 | - |
| | | 2.2 kW / 400 V | - | 8 | - | 5 HP / 230 V Single Phase | - | 39 | - |
| | | 4 kW / 400 V | - | 12 | - | 5 HP / 230 V 3 Phase | - | 39 | - |
| High Jet 30 |  | 1.1 kW / 230 V | - | 9 | - | 2 HP / 230 V Single Phase | - | 33 | - |
| | | 2.2 kW / 400 V | - | 11.5 | - | 5 HP / 230 V Single Phase | - | 54 | - |
| | | 4 kW / 400 V | - | 16.5 | - | 5 HP / 230 V 3 Phase | - | 54 | - |
| Grand Vulkan 30 |  | 1.1 kW / 230 V | 2.5 | 3 | - | 2 HP / 230 V Single Phase | 15 | 16.5 | - |
| | | 2.2 kW / 400 V | 3.5 | 5 | - | 5 HP / 230 V Single Phase | 16.5 | 21 | - |
| | | 4 kW / 400 V | 4 | 7 | - | 5 HP / 230 V 3 Phase | 16.5 | 21 | - |
| Trumpet Jet 30 |  | 1.1 kW / 230 V | 4.5 | 5 | 1.2 | 2 HP / 230 V Single Phase | 21.5 | 20 | 5 |
| | | 2.2 kW / 400 V | 7.5 | 7 | 1.5 | 5 HP / 230 V Single Phase | 26 | 30 | 6.5 |
| | | 4 kW / 400 V | 8 | 9.5 | 2.5 | 5 HP / 230 V 3 Phase | 26 | 30 | 6.5 |

OASE GmbH

Tecklenburger Straße 161
48477 Hörstel | Germany

☎ +49 (0) 5454 80-0

📠 +49 (0) 5454 80-9353

✉ info@oase.com

www.oase-professional.com