



**ARIONA  
POOLS**

## **INSTRUCTION MANUAL FOR START UP AND MAINTENANCE**

---

**MODELS**

**DOMESTIC OCEAN  
PACIFIC  
PACIFIC TOP  
TIMOR**

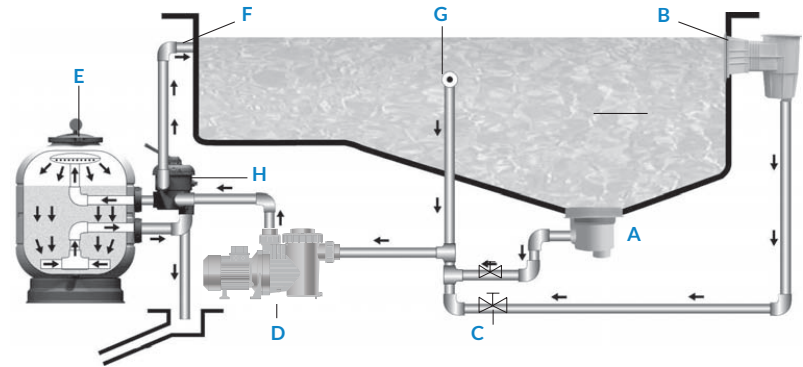


[info@arionapools.com](mailto:info@arionapools.com)  
[arionapools.com](http://arionapools.com)

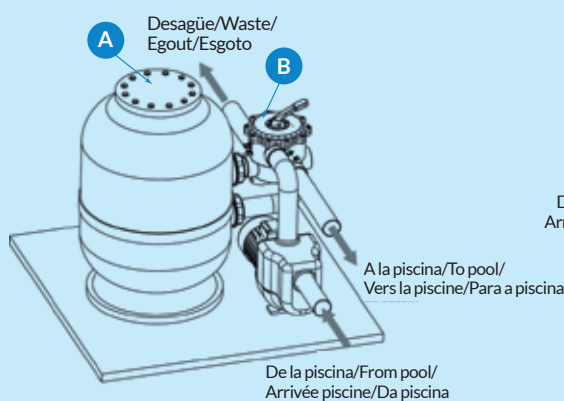
## OCEAN | PACIFIC | PACIFIC TOP

### FILTRO DOMÉSTICO / RESIDENTIAL FILTER / FILTRE POUR PISCINE PRIVÉE

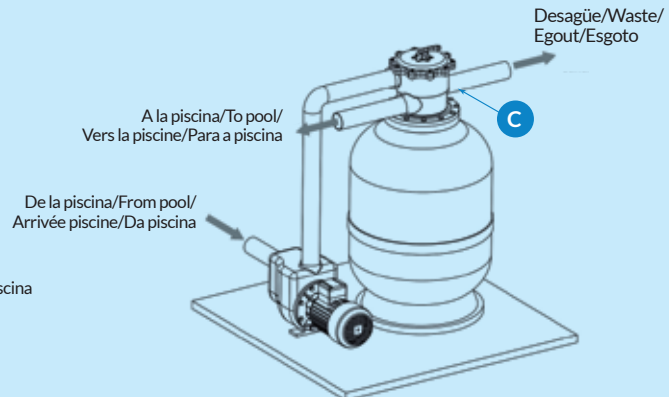
- A Sumidero / Drain / Bonde de fond / Ralo de fundo
- B Skimmer / Skimmer / Skimmer / Skimmer
- C Válvulas / Valves / Vannes / Válvulas
- D Bomba / Pump / Pompe / Bomba
- E Filtro / Filter / Filtre / Filtro
- F Retorno / Return / Réfoulement / Retorno
- G Limpiafondos / Suction inlets / Prise-balai / Boca de aspiração
- H Válvula selectora / Multiport Valve / Vanne multivoies / Válvula selectora multifunções



### VÁLVULA LATERAL / SIDE VALVE / VANNE LATÉRALE / VÁLVULA LATERAL



### VÁLVULA TOP / TOP VALVE / VANNE TOP / VÁLVULA DE TOPO



### VÁLVULA LATERAL / SIDE MOUNT VALVE / VANNE LATÉRALE / VÁLVULA LATERAL

### VÁLVULA TOP / TOP MOUNT VALVE / VANNE TOP / VÁLVULA DE TOPO



Montaje del manómetro y purgador de aire atornillado en la tapa.

Manometer mounting and air bleed valve with the tee screwed on the cover.

Montage manomètre et purge d'air sur té vissé sur le couvercle.

Montagem do manómetro e purga de ar roscados à tampa.



Montaje del manómetro en la válvula y purgador de aire atornillado en la tapa.

Manometer mounting on valve and air bleed valve screwed on the lid.

Montage manomètre sur vanne et purge d'air vissée sur le couvercle.

Montagem do manómetro na válvula e purga de ar roscada na tampa.



Manómetro directamente en la válvula.

Manometer directly on valve.

Montage manomètre sur vanne.

Manómetro directamente na válvula.

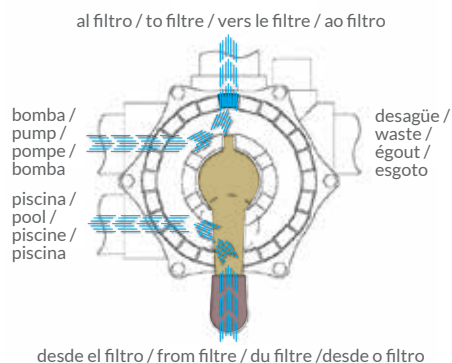


TEFLÓN ÚNICAMENTE EN EL MANÓMETRO  
TEFLON ONLY ON MANOMETER  
TEFLON UNIQUEMENT SUR LE MANOMÈTRE  
TEFLON UNICAMENTE NO MANÓMETRO



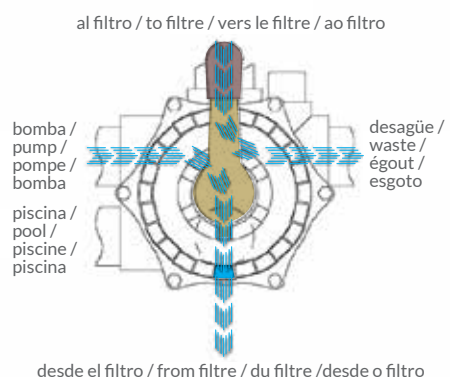
1.

Filtración  
Filtration  
Filtration  
Filtração



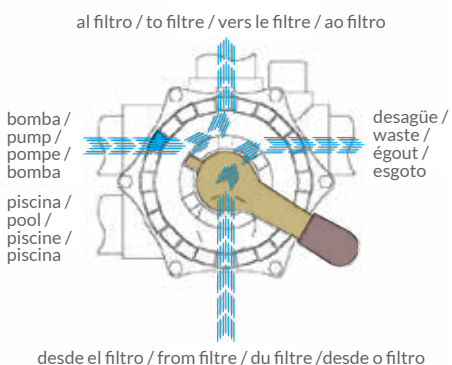
2.

Lavado  
Backwash  
Lavage  
Contra-  
lavagem

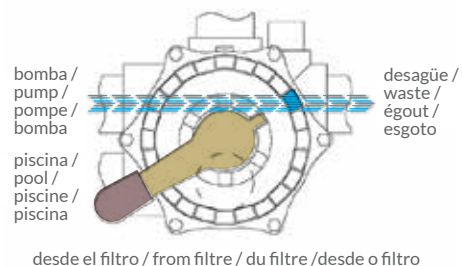


3.

Enjuague  
Rinse  
Rinçage  
Enxaguamento



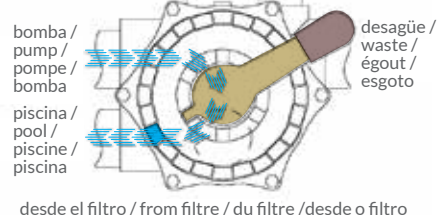
al filtro / to filtre / vers le filtre / ao filtro



4.

Desagüe  
Waste  
Vindage  
Esgoto

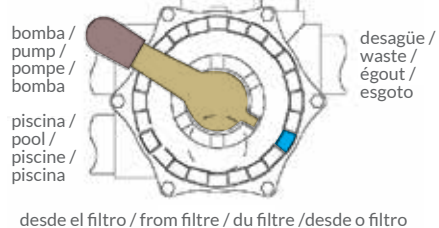
al filtro / to filtre / vers le filtre / ao filtro



5.

Recirculación  
Recirculation  
Recirculation  
Recirculação

al filtro / to filtre / vers le filtre / ao filtro



6.

Cerrado  
Closed  
Fermeture  
Fechado

## 7. Invierno / Winter / Hiver / Inverno

Mantener la maneta levantada / Keep the handle raised / Gardez la poignée levée / Manter o manipulo levantado

DIÁMETRO (mm.) DIAMETER (mm.) DIAMETRE (mm.) DIÁMETRO (mm.)	Ø 400	Ø 510	Ø 620	Ø 620	Ø 680	Ø 750	Ø 900
VÁLVULA (Pulgada) VALVE (Inch) VANNE (Pouce) VÁLVULA (Polegada)	1" 1/2	1" 1/2	1" 1/2	2"	2"	2"	2"
SUPERFICIE DE FILTRACIÓN (m²) FILTRATION SURFACE (m²) SURFACE FILTRANTE (m²) SUPERFÍCIE DE FILTRAÇÃO (m²)	0,13	0,20	0,30	0,30	0,36	0,44	0,64
CAUDAL m³/h (V = 50 m³ / h / m²) FLOW m³/h (V = 50 m³ / h / m²) DEBIT m³/h (V = 50 m³ / h / m²) CAUDAL m³/h (V = 50 m³ / h / m²)	6,3	10,2	15,1	16,1	18,1	22,1	31,8
ARENA (Kg.) SAND (Kg.) SABLE (Kg.) AREIA (Kg.)	50	100	150	150	175	225	325
PRESIÓN DE TRABAJO WORKING PRESSURE PRESSION TRAVAIL PRESSÃO DE TRABALHO	1 - 1,5 Kg / cm²						
PRESIÓN MÁXIMA MAXIMUM PRESSURE PRESSION MAXIMALE PRESSÃO MÁXIMA	2 Kg / cm²						
PRESIÓN DE PRUEBA TESTING PRESSURE PRESSION PREUVE PRESSÃO DE TESTE			3 Kg / cm²				
TEMP. DE TRABAJO OPERATING TEMPERATURE TEMP. DE FONCTION TEMPERATURA DE TRABALHO				min. 1°C - max. 40°C			
GRANULOMETRÍA DE ARENA SAND GRANULOMETRY GRANULOMETRIE DE SABLE GRANOLOMETRIA DE AREIA						0,4 - 0,8	

Made in Spain





## MODELS

DOMESTIC OCEAN  
PACIFIC  
PACIFIC TOP  
TIMOR

---

### GENERAL CONTENTS

Page 6- Parts and codes

Page 7- Operation

Page 8- Installation

Page 9- Sand loading

Page 10/11- Functions

Page 12- Set up

Page 12- Maintenance

Page 12- Winterising





Page 13- Troubleshooting

Page 13- Safety warnings

[info@arionapools.com](mailto:info@arionapools.com)  
[arionapools.com](http://arionapools.com)

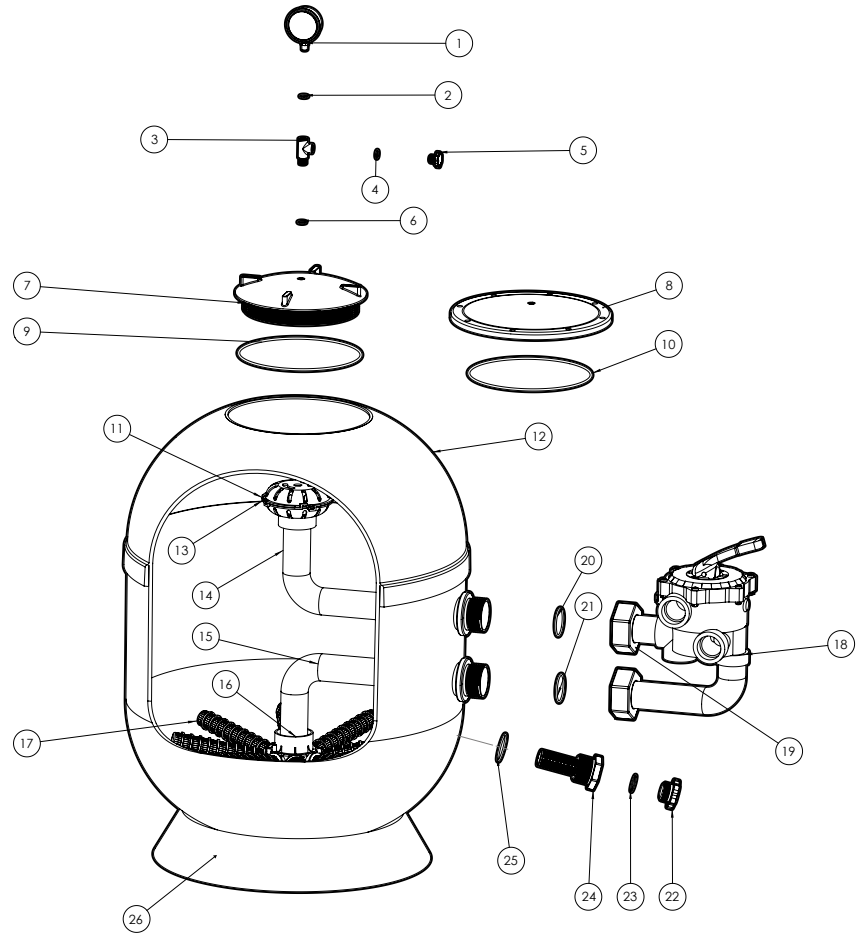


# INSTRUCTION MANUAL FOR START UP AND MAINTENANCE

-  Please read and follow all of the instructions contained in this Owner's Manual. Failure to follow these instructions may cause bodily injuries and/or breakdown of the filter.
-  This document should be given to the owner of the pool, who should keep it in a safe place.
-  This filter must not be used by persons with reduced physical, mental or sensory capacity, nor persons who do not possess the necessary knowledge and experience, unless they are supervised or instructed in how to use the device by a person responsible for their safety.
-  Do not let children play with this filter

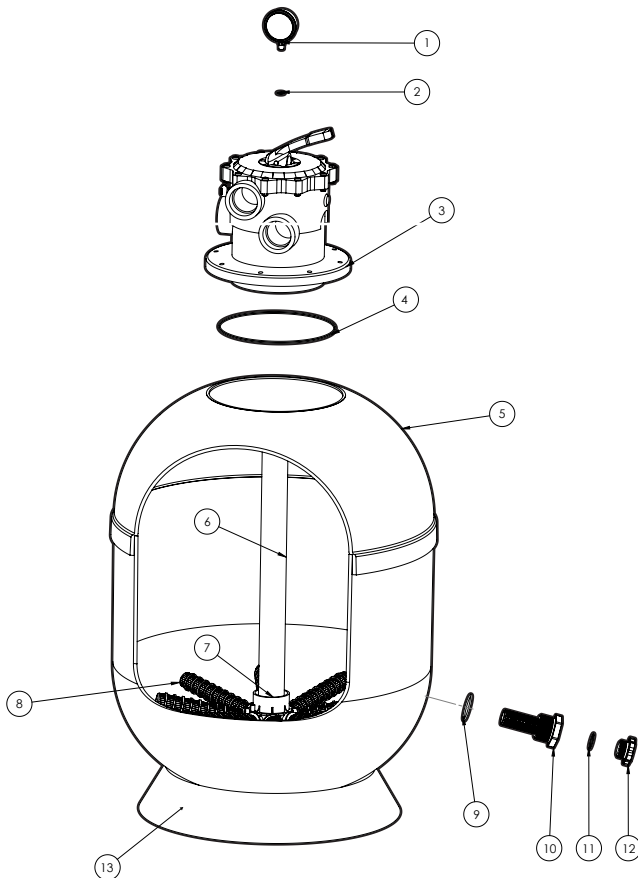
## NORMAL PARTS

- 1- Glycerine gauge
- 2- Gauge o-ring seal
- 3- "T" gauge
- 4- Cap o-ring seal
- 5- Cap
- 6- "T" o-ring
- 7- Transparent threaded cap
- 8- Black lid with screws
- 9- Threaded cap o-ring seal
- 10- Cap with screws o-ring seal
- 11- Diffuser
- 12- Filter body
- 13- Bleed valve
- 14- Adjustable PVC pipe
- 15- Collector pipe
- 16- Collector
- 17- Collector arm
- 18- Valve body
- 19- Set of joints
- 20- Joints o-ring seal
- 21- Joints o-ring seal
- 22- Drain plug
- 23- Drain plug o-ring seal
- 24- Drain set
- 25- Drain o-ring seal
- 26- Base



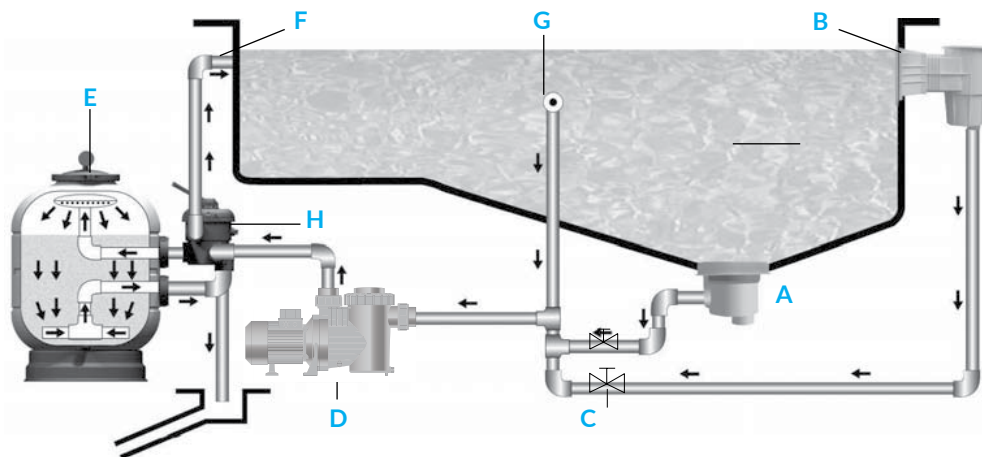
## TOP PARTS

- 1- Glycerine gauge
- 2- Gauge o-ring seal
- 3- Valve Top
- 4- Valve seal
- 5- Filter body
- 6- PVC tube
- 7- Collector
- 8- Collector arm
- 9- Drain o-ring seal
- 10- Drain
- 11- Cap o-ring seal
- 12- Drain cap
- 13- Polyester base



## OPERATION

- |                     |                            |
|---------------------|----------------------------|
| <b>A</b> Main drain | <b>E</b> Filter            |
| <b>B</b> Skimmer    | <b>F</b> Return            |
| <b>C</b> Valves     | <b>G</b> Pool cleaner port |
| <b>D</b> Pump       | <b>H</b> Selector valve    |

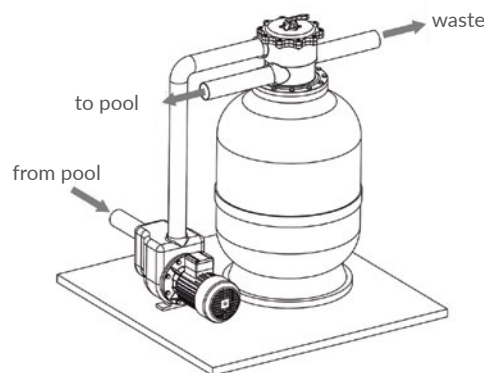
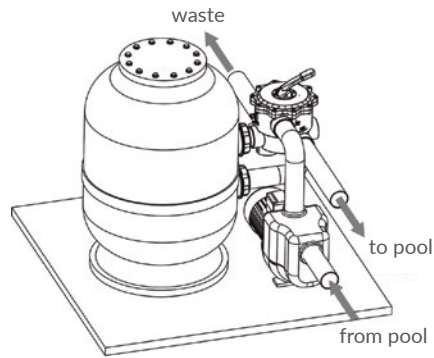


The water is sucked from the bottom of the pool via the main drain (A) and from the surface via the skimmers (B), passing through the pump (D) to reach the filter (E) through separate lines with their own valves (C) and is then returned to the pool by distributors (F, jet nozzles). The jet nozzles are installed on the opposite side from the main drain and skimmers, thus ensuring that the water in the pool is fully renewed. The filter itself contains a sand load, through which the water passes down; the sand thereby traps any organic material suspended in the water.

Once the filter cycle has begun, after a certain amount of time it will be necessary to clean the filter, since the sand will become blocked with dirt, preventing the water from passing through. When the pressure in the filter rises above 1.3 kg/cm<sup>2</sup>, it is time to clean it.

Backwashing reverses the direction of the water in the filter, which expels the filtered materials into the drain.

If this important information is taken into consideration, the operation instructions given below should not be difficult to follow.



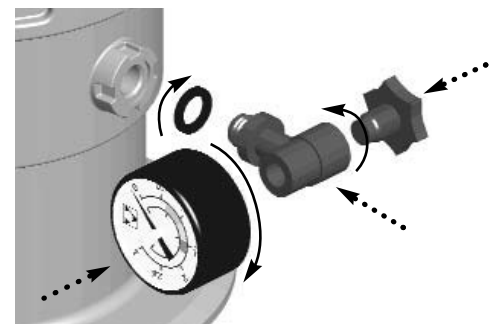
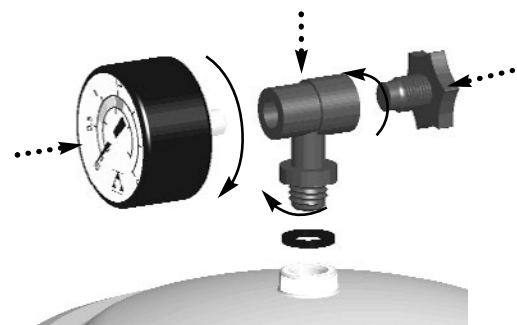
The filter should be set up as close as possible to the pool, and preferably at a height of 0.50m below the surface of the water. Check that there is a drain for the equipment room or shed where the filter is located.

Always use plastic accessories, preferably PVC or polyethylene.

## INSTALLATION

In order to correctly install the filter, please proceed as follows:

1. The filter must be installed on a clean horizontal surface.
2. Place the filter in its final position.
3. For a filter with a side mount valve, install the selector valve in the filter, trying to ensure the joints between the valve and filter are correctly positioned. **Important:** the selector valve must be placed in a position that allows access for handling and, if necessary, replacement.
4. Install the selector valve in the filter. Correctly connect the tubes to the pump and pool. On the selector valve it is clearly indicated where each tube should be connected.
5. Place the T-gauge, the seal ring, the gauge and the air vent cap (see parts list). It is not necessary to use thread seal tape, since the watertightness at this point is achieved with the seal ring. Simply screw the gauge on by hand.

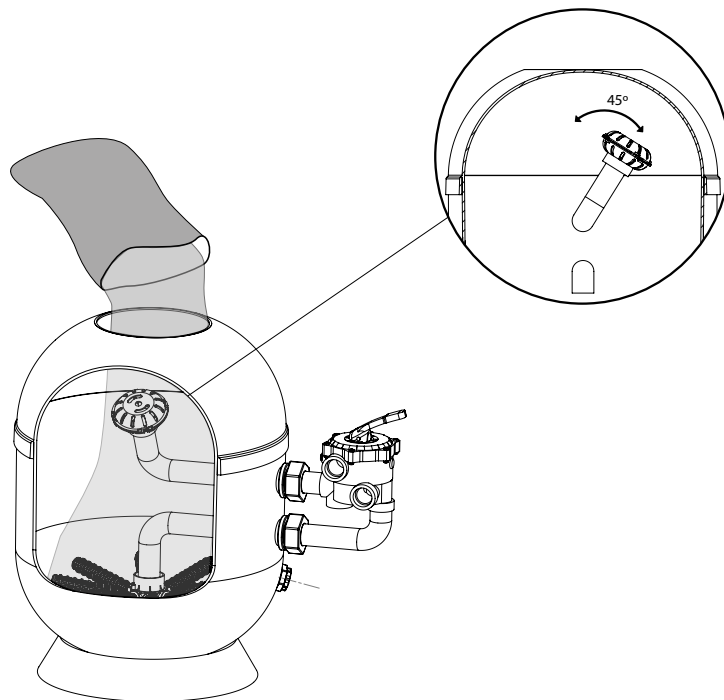




## SAND LOADING

Silica sand must be used, with a grain size of 0.4 to 0.8mm. Using the quantity indicated on the specifications label on the filter, proceed as follows:

1. Load the sand once the filter is in place and the tubes have been connected.
2. Remove the cap and seal ring.
3. Move the diffuser to one side to facilitate loading and prevent the sand from getting into the diffuser.
4. Fill the filter halfway with water.
5. Tip the recommended amount of sand into the filter.
6. Clean the housing of the cap seal.
7. Replace the filter cap and screw it on.
8. It is very important for the threads on both the cap and the filter to be completely free of sand, which could damage both threads and cause them to become less watertight.



## FUNCTIONS

The selector valve has a handle with 6 positions that allow you to select any of the operations necessary for correct functioning of the filter.

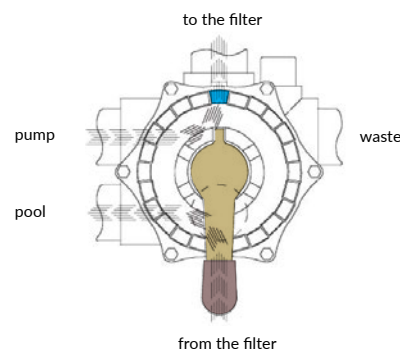


### IMPORTANT

Always ensure the pump is switched off before changing the position of the selector valve.

### Filter

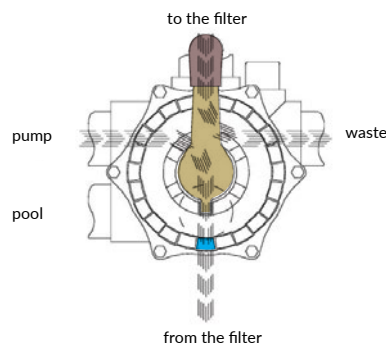
# 1



With the pump switched off, move the valve handle to the Filter position. Switch the pump on.

### Backwash

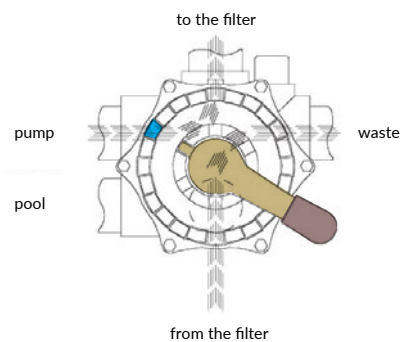
# 2



When the dirt starts building up in Filter mode, the pressure on the gauge will rise up to 1.3 bar. Switch off the pump. Put the handle into the Clean position. Valve, Main drain, Skimmer, open. Drain valve, open. Switch the pump on for 2 minutes.

### Rinse

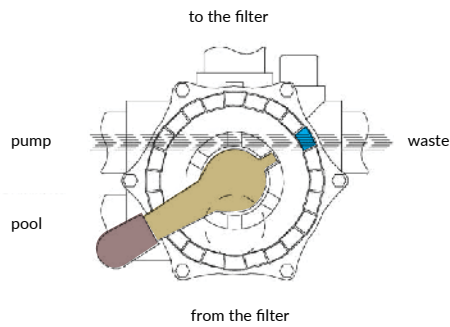
# 3



After cleaning, place the valve handle into the Rinse position, connect the pump for 1 minute, and then place the handle into the Filter position.

**Empty  
Drain**

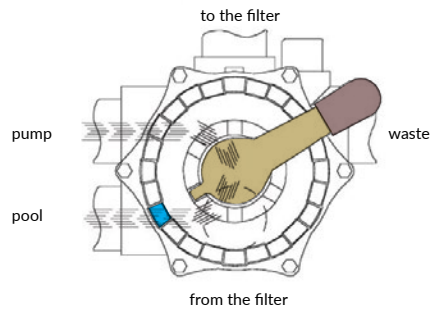
4



Put the handle into the Empty position. Main drain valve open. Do not stop the pump until the pool is fully empty, and ensure that the Skimmer and pool cleaner valves are closed.

**Recirculation**

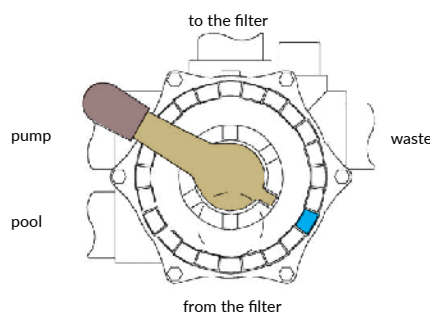
5



In this position, the pool water will return to the pool without passing through the filter.

**Closed**

6



This position stops water flowing between the filter and the pump. This is used when opening the cap of the pump and cleaning its basket (pre-filter).

7

**Winter position**

Keep the handle up.



## START UP

It is recommended to switch on the installation without loading the sand, to check that the filter and the installation are fully watertight.

Once the sand is loaded into the filter, select the cleaning setting to clean the sand before use. Do this as follows:

1. Place the selector valve in the “**BACKWASH**” position.
2. Open the valves that control the pool vacuum hoses and connect the pump for 4 minutes.
3. Switch off the pump, put the valve into the “**RINSE**” position and rinse for 1 minute. Afterwards, switch off the pump and place the handle of the selector valve into the “**FILTER**” position.



### IMPORTANT

Ensure the pump is disconnected before changing the position of the selector valve.

## MAINTENANCE

1. Clean the filter with water and soap, do not use abrasive substances.
2. Replace worn parts and seals whenever necessary.
3. Clean and rinse as necessary, according to the operating instructions.

## WINTERISING

1. Empty the water out of the filter.
2. Remove the filter cap to keep it ventilated during the period of inactivity.
3. When you need to start operating the filter again, follow the instructions for **START UP**.

## TROUBLESHOOTING

PROBLEM	POSSIBLE CAUSE	SOLUTION
The filter has a low water flow. The pool cleaner vacuum hose does not suck up much water.	Hair filter blocked.	Clean hair filter.
	Motor rotating in the wrong direction.	Check the direction of the motor rotation from the arrow on the cover of the filter fan. If it is not correct, reverse the connection of the motor*.
	Vacuum or jet hoses blocked.	Clear them.
	Dirty filter.	Run the cleaning procedure.
Pressure rises quickly during filter cycle.	High pH level in water (cloudy water).	Reduce the pH with pH reducing products (-)
	Lack of chlorine (green-tinged water).	Add chlorine.
Pressure gauge goes up and down violently.	Air is getting into the pump.	Check for water leaks in the hair filters and vacuum hoses.
	Vacuum semi-closed.	Check that the vacuum valves are fully open.

\*If there is no indicator arrow, you can also check the direction of rotation in the following way: Stand in front of the pump, i.e. the same part where the inlet pipes are (the motor at the back). Ensure that the motor is turning in an anti-clockwise direction.

## SAFETY WARNINGS

- Do not operate the equipment without water.
- Whenever you need to handle the filter or valve, unplug them from the power source.
- Do not allow adults or children to sit on the equipment.
- Do not connect the filter directly to the water supply, since the pressure can be very high and may exceed the maximum pressure for the filter to operate.
- Do not clean the cap assembly with any type of solvent, since it could lose some of its properties (shine, transparency, etc.).
- Given that all of the connections use seals, it is not necessary to tighten the screws too much, as this could break some of the various plastic parts.



**ARIONA  
POOLS**

[info@arionapools.com](mailto:info@arionapools.com)

Polígono Industrial Egiburuberri 13-1B  
20100 Errenteria, Gipuzkoa, Spain

[arionapools.com](http://arionapools.com)