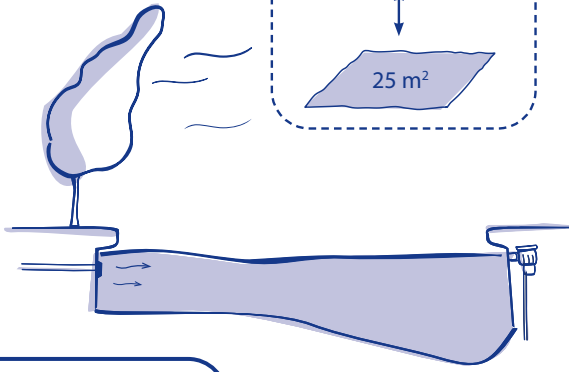
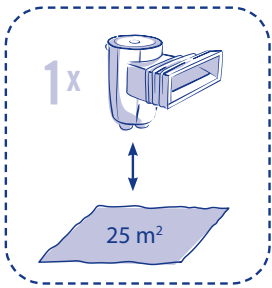




# 3

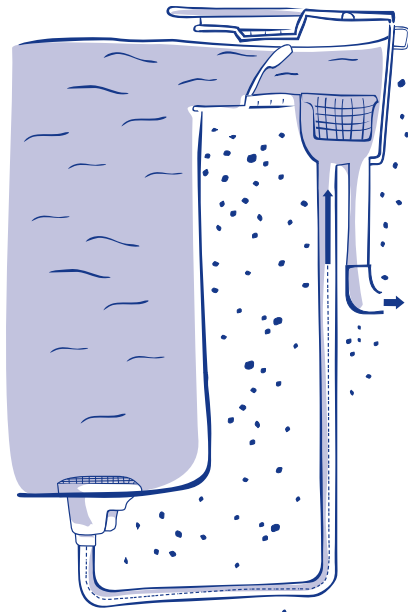
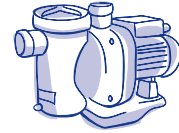


$Q = 7,5 \text{ m}^3/\text{h}$

concrete pool

over flow drain

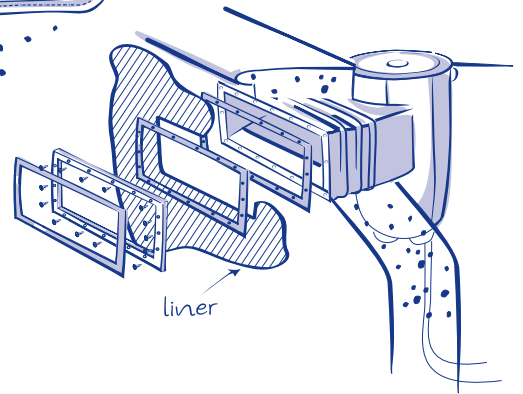
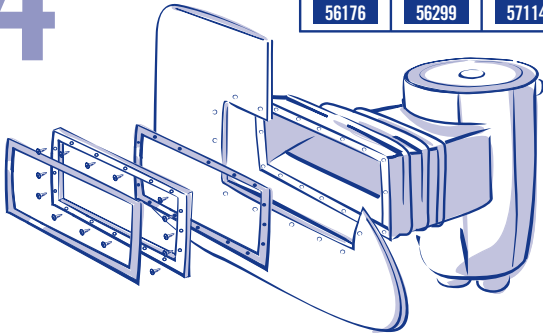
17,5 l.
58707



prefabricated pool

# 4

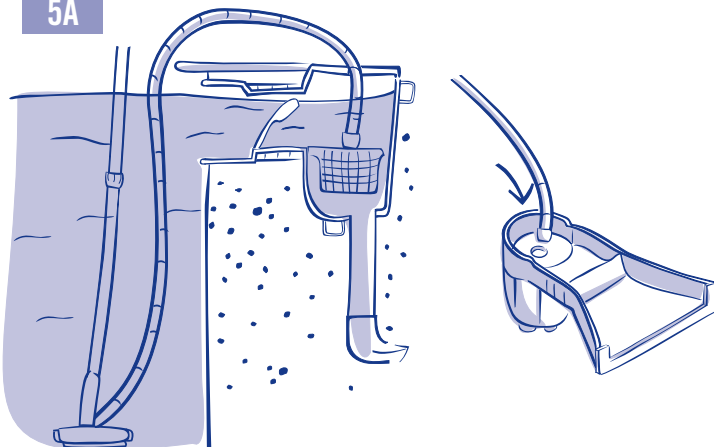
17,5 l.		
56176	56299	57114



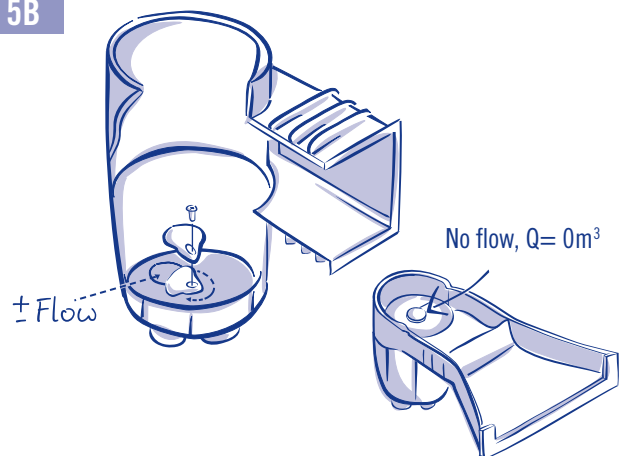
concrete pool + liner

# 5

### 5A



### 5B



### 5C

