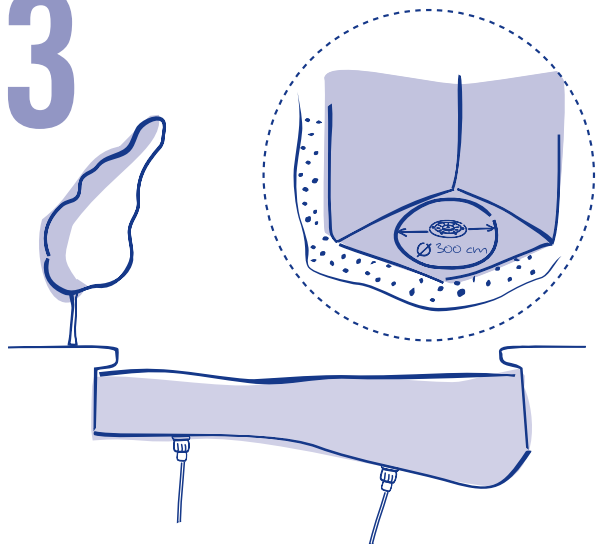
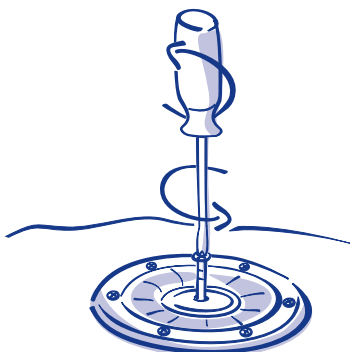




# 3

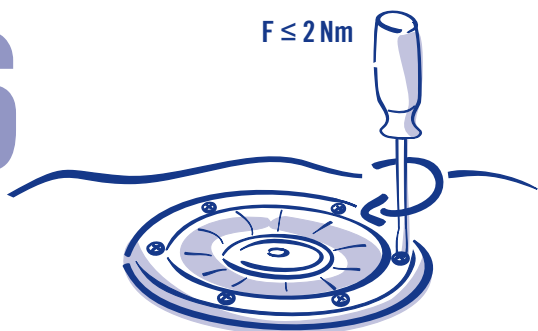


# 5

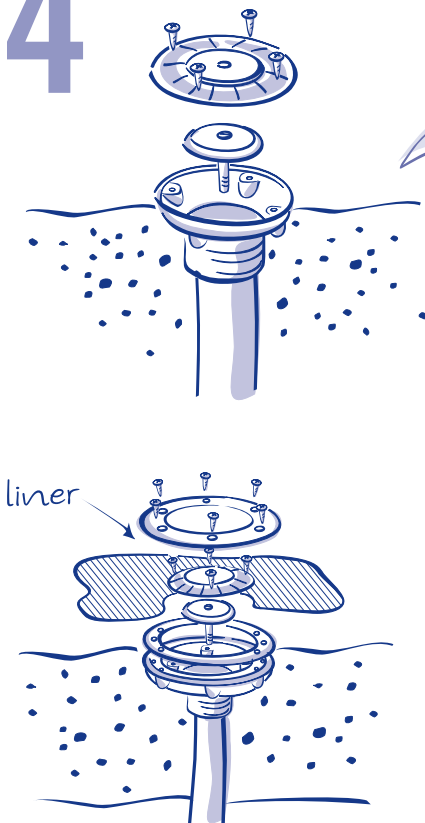


Flow			
00303	15863 / 15864		28230
00340			28231
20139			28501
20140			28502
22353			
Min. 1 m³/h	Position	Max. Flow 100%=14 m³/h	Max. 9.5 m³/h
	P1	36%	
Max. 12 m³/h	P2	100%	
	P3	65%	

# 6



# 4

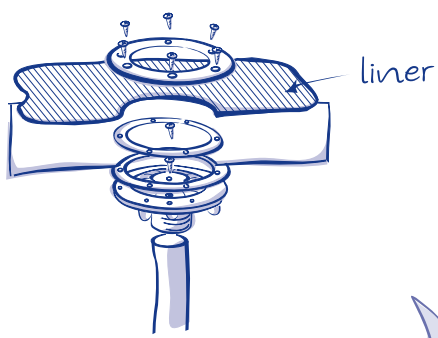


concrete pool

00303	15863
+ PVC GLUE	+ PVC GLUE
+ Ø50mm	+ Ø63mm
20140	22353
+ PVC GLUE	+ PVC GLUE
+ Ø50mm	+ Ø75mm PNG
+ Ø63mm PNG	
	21248

concrete pool with liner

00340	20139	15864	28230	28501
+ PVC GLUE	+ PVC GLUE	+ PVC GLUE	+ PVC GLUE	+ PVC GLUE
+ Ø50mm	+ Ø50mm	+ Ø63mm	+ Ø63mm PNG	+ Ø63mm PNG
	+ Ø63mm PNG			
				+ Ø63mm PNG



prefabricated polyester pool

00340	20139	15864	28230	28231	28501	28502
+ PVC GLUE	+ PVC GLUE	+ PVC GLUE	+ PVC GLUE	+ PVC GLUE	+ PVC GLUE	+ PVC GLUE
+ Ø50mm	+ Ø50mm	+ Ø63mm	+ Ø63mm PNG	+ Ø63mm PNG	+ Ø63mm PNG	+ Ø63mm PNG
	+ Ø63mm PNG					