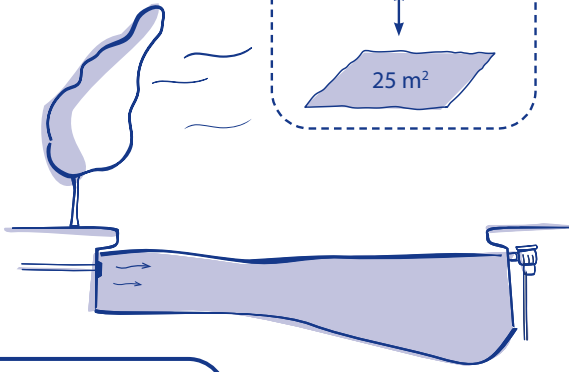
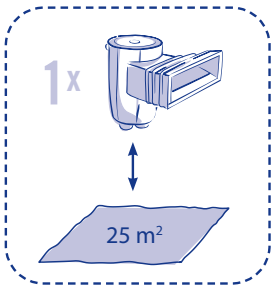
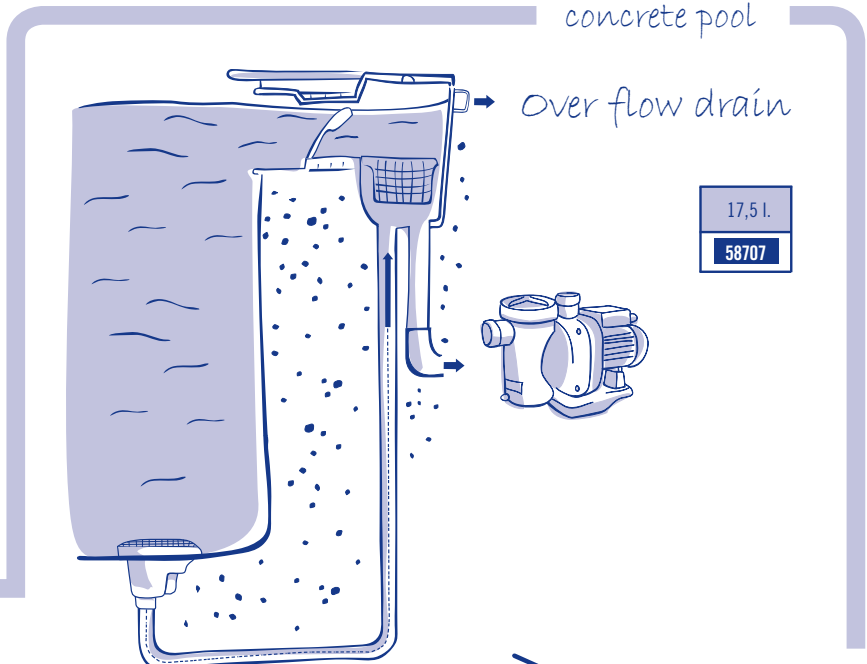


3

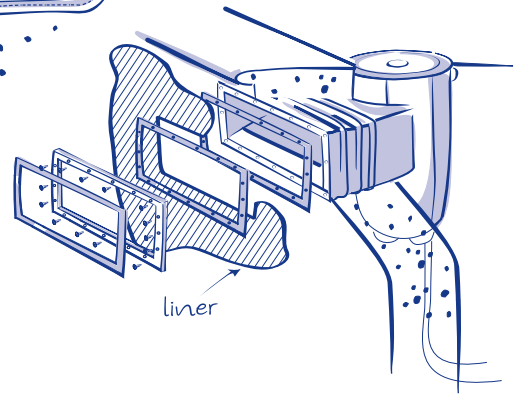
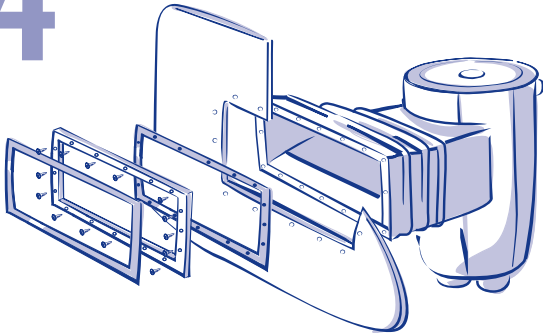


$Q = 7,5 \text{ m}^3/\text{h}$



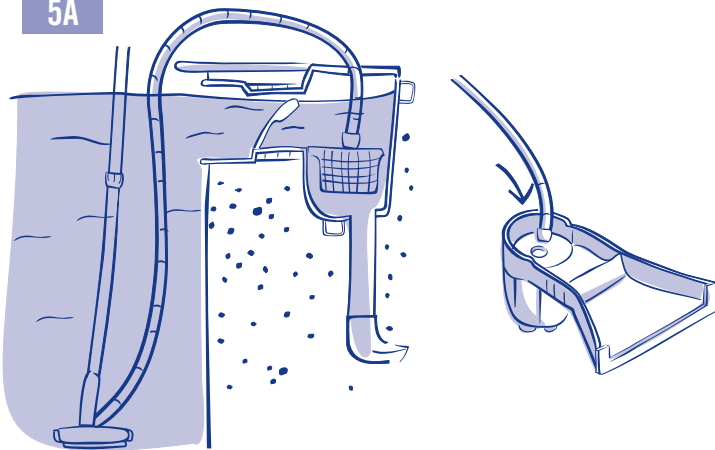
4

prefabricated pool

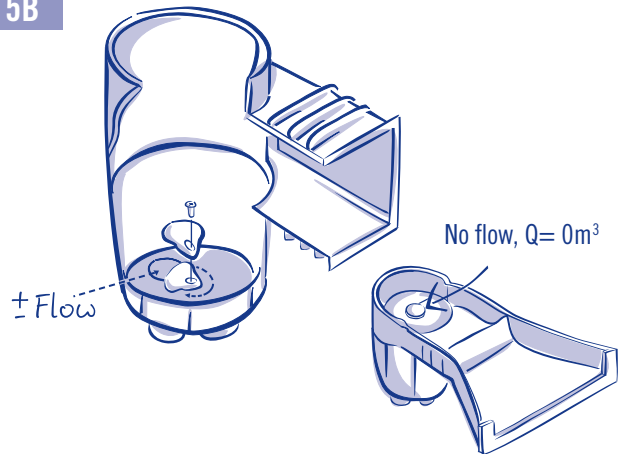


5

5A



5B



5C

