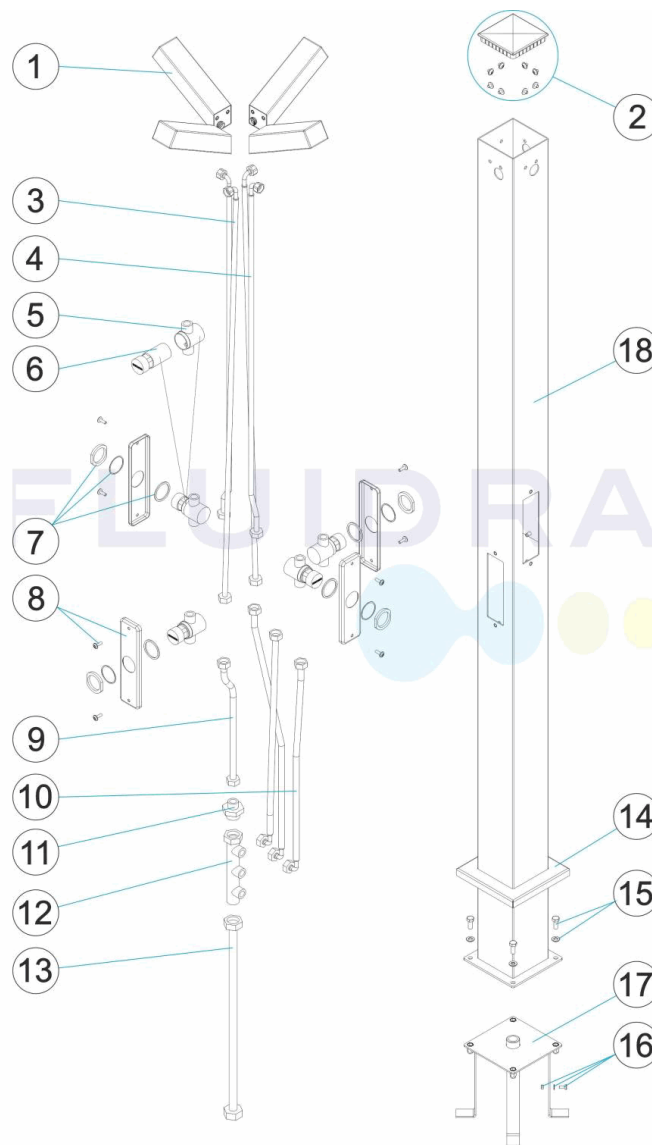


CODIGO 59779

DESCRIPCION: DUCHA 4 ROCIADORES 4 PULSADORES TEMPORIZADOS

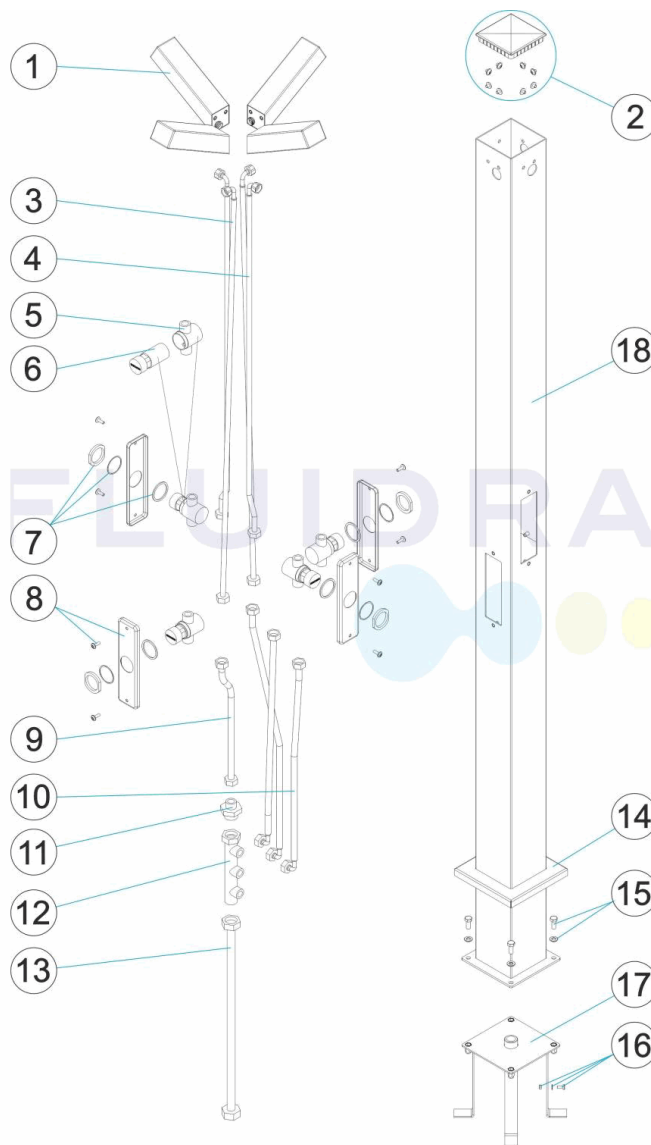


ESPAÑOL

POS	CODIGO	DESCRIPCION	POS	CODIGO	DESCRIPCION
1	4401040235	ROCIADOR ABS CROMADO	10	4401040258	LATIGUILLO 1/2" H - 1/2" H L=600"
2	4401040256	TAPON DUCHA	11	4401040259	REDUCCION 3/4" M - 1/2" M LATO "
3	4401040255	LATIGUILLO 3/8" H - 1/2" H L=1025"	12	4401040260	COLECTOR 3/4" - 3 SALIDAS 1/2" "
4	4401040248	LATIGUILLO 3/8" H - 1/2" H L=875"	13	4401040261	LATIGUILLO 3/4" H - 3/4" H DN13 L=450"
5	4401040244	CUERPO PULSADOR	14	4401040262	TAPETA EMBELLECEDORA
6	4401040239	PULSADOR TEMPORIZADOR	15	4401041307	TORNILLERIA ANCLAJE DUCHA
7	4401040238	CJTO. FIJACION CUERPO PULSADOR	16	4402010056	TOMA TIERRA
8	4401040240	FRONTAL PULSADOR	17	59779R0200	ANCLAJE DUCHA
9	4401040257	LATIGUILLO 1/2" H - 1/2" H L=400"	18	59779R0100	CUERPO DUCHA

CODE 59779

DESCRIPTION: DOUCHE 4 POMMEAU 4 BOUTON TEMPORISÉ

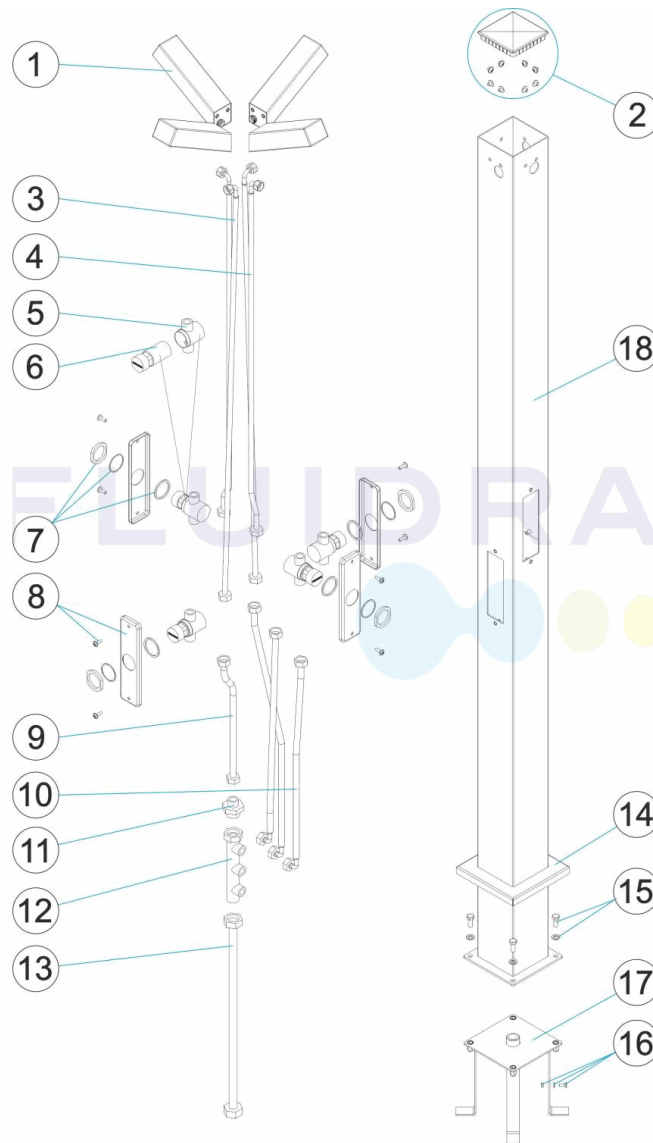


FRANCAIS

POS	CODE	DESCRIPTION	POS	CODE	DESCRIPTION
1	4401040235	POMME DE DOUCHE ABS	10	4401040258	TUYAU 1/2" H - 1/2" H L=600"
2	4401040256	BOUCHON DOUCHE	11	4401040259	RÉDUCTION 3/4" M - 1/2" M LAITO "
3	4401040255	TUYAU 3/8" H - 1/2" H L=1025"	12	4401040260	COLLECTEUR 3/4" - 3 SORTIES 1/2" "
4	4401040248	TUYAU 3/8" H - 1/2" H L=875"	13	4401040261	TUYAU 3/4" H - 3/4" H DN13 L-450"
5	4401040244	CORPS BOUTON-POUSOIR	14	4401040262	ENJOLIVEUR
6	4401040239	BOUTON POUSOIR TEMPORISATEUR	15	4401041307	VISSERIE ANCRAGE DOUCHE
7	4401040238	ENSEMBLE FIXATION CORPS BOUTON-POUSOIR	16	4402010056	PRISE DE TERRE
8	4401040240	FRONTAL BOUTON-POUSOIR	17	59779R0200	ANCRAGE DOUCHE
9	4401040257	TUYAU 1/2" H - 1/2" H L=400"	18	59779R0100	CORPS DOUCHE

CODE **59779**

DESCRIPTION: **SHOWER 4 SPRINKLER 4 TIMING SWITCH**

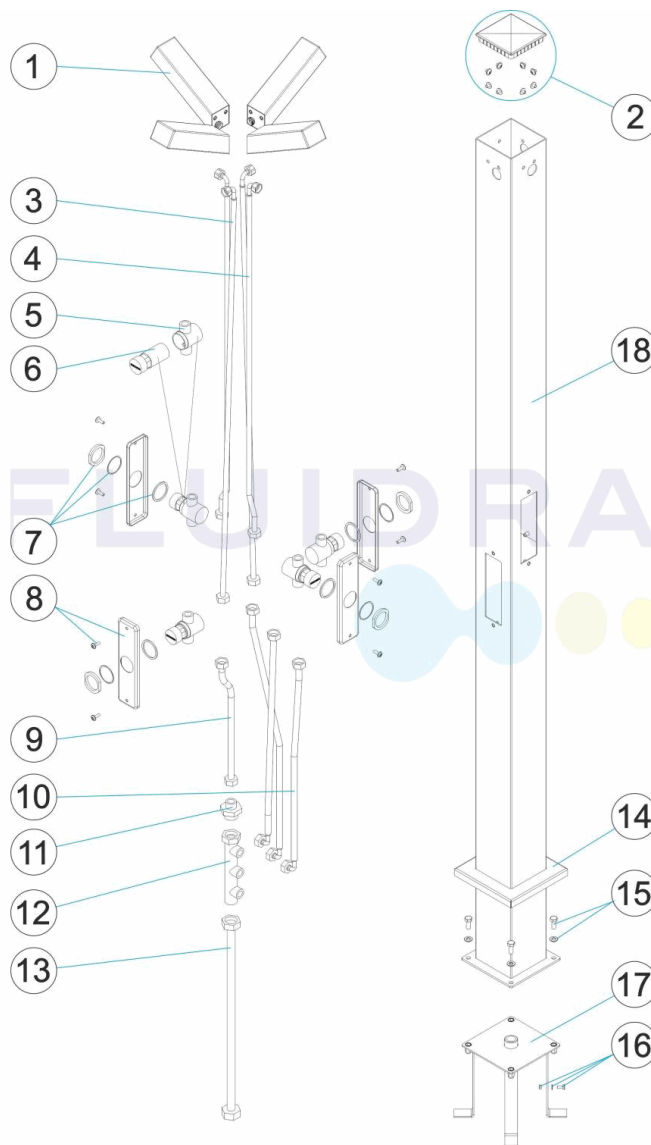


ENGLISH

POS	CODE	DESCRIPTION	POS	CODE	DESCRIPTION
1	4401040235	SPRINKLER ABS	10	4401040258	1/2" H - 1/2" H L=600 FLEX "
2	4401040256	SHOWER CAP	11	4401040259	REDUCING NUT 3/4" M - 1/2" M BRAS "
3	4401040255	3/8" H - 1/2" H L=1025 FLEX "	12	4401040260	COLLECTOR 3/4" - 3 OUTLETS 1/2" "
4	4401040248	3/8" H - 1/2" H L=875 FLEX "	13	4401040261	3/4" H - 3/4" H DN13 L=450 FLEX "
5	4401040244	SWITCH BODY	14	4401040262	ESCUTCHEON
6	4401040239	TIMING SWITCH	15	4401041307	SHOWER ANCHOR BOLTS
7	4401040238	BUTTON BODY FIXING SET	16	4402010056	EARTH CONNECTION
8	4401040240	BUTTON FRONT	17	59779R0200	SHOWER ANCHOR
9	4401040257	1/2" H - 1/2" H L=400 FLEX "	18	59779R0100	SHOWER UNIT

CODICE 59779

DESCRIZIONE: DOCCIA 4 SOFFIONE 4 PULSANTE TEMPORIZZATO

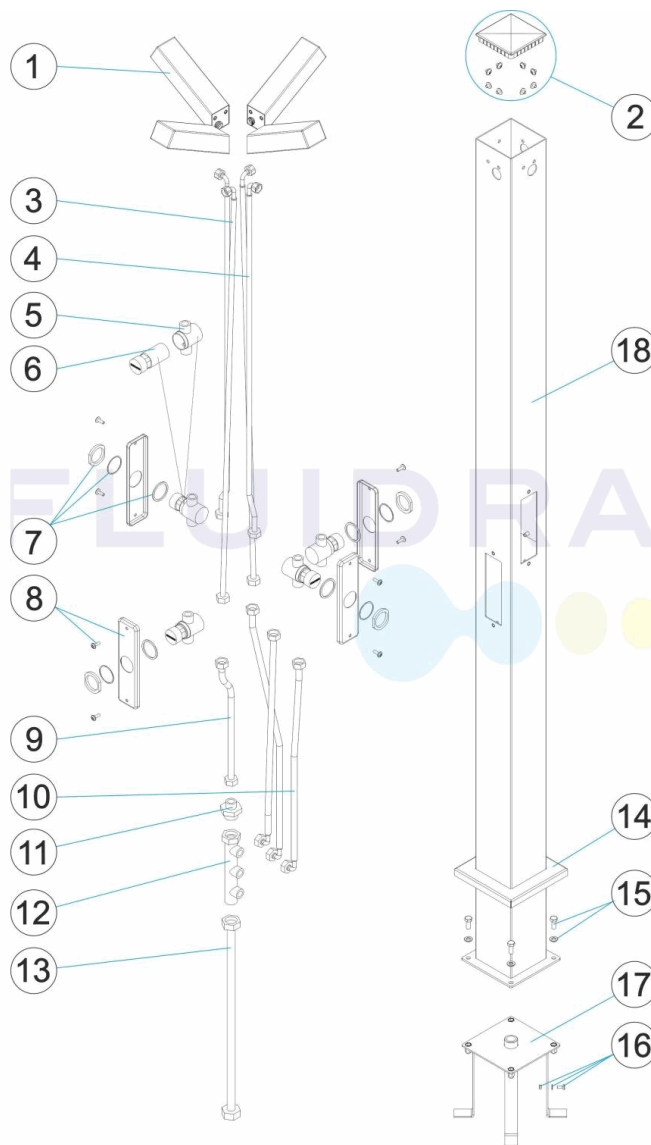


ITALIANO

POS	CODICE	DESCRIZIONE	POS	CODICE	DESCRIZIONE
1	4401040235	SPRUZZATORE ABS	10	4401040258	SPINOTTO 1/2" H - 1/2" H L=600"
2	4401040256	TAPPO DOCCIA	11	4401040259	RIDUZIONE 3/4" M - 1/2" M OTTON "
3	4401040255	SPINOTTO 3/8" H - 1/2" H L=1025"	12	4401040260	COLLETTORE 3/4" - 3 USCITE 1/2" "
4	4401040248	SPINOTTO 3/8" H - 1/2" H L=875"	13	4401040261	SPINOTTO 3/4" H - 3/4" H DN13 L=450"
5	4401040244	CORPO PULSANTE PULSANTE	14	4401040262	COPRIFLANGIA ANCORAGGIO
6	4401040239	PULSANTE TEMPORIZZATO	15	4401041307	BULLONERIA ANCORAGGIO DOCCIA
7	4401040238	SET FISSAGGIO CORPO PULSANTE	16	4402010056	PRESA A TERRA
8	4401040240	FRONTALE PULSANTE	17	59779R0200	ANCORAGGIO DOCCIA
9	4401040257	SPINOTTO 1/2" H - 1/2" H L=400"	18	59779R0100	CORPO DOCCIA

CODE 59779

BESCHREIBUNG: DUSCHE 4 DUSCHKÖPFE 4 REGELDRUCKKNÖPFE

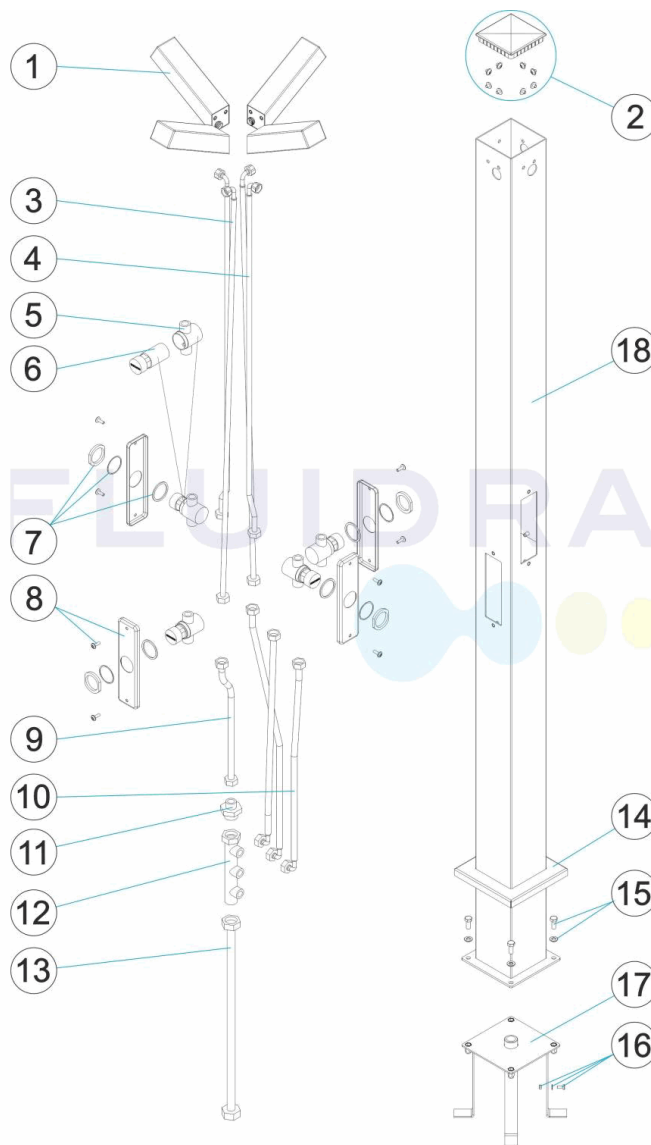


DEUTSCH

POS	CODE	BESCHREIBUNG	POS	CODE	BESCHREIBUNG
1	4401040235	DUSCHKOPF ABS VERCHROMT	10	4401040258	SCHLAUCHLEITUNG 1/2" MUFFE - 1/2" MUFFE L=60
2	4401040256	STOPFEN DUSCHE	11	4401040259	REDUZIERSTÜCK 3/4" M - 1/2" M BLEC "
3	4401040255	SCHLAUCHLEITUNG 3/8" MUFFE - 1/2" MUFFE L=102	12	4401040260	SAMMELROHR 3/4" - 3 AUSGÄNGE 1/2" NIPPE "
4	4401040248	SCHLAUCHLEITUNG 3/8" MUFFE - 1/2" MUFFE L=87	13	4401040261	SCHLAUCHLEITUNG 3/4" MUFFE - 3/4" MUFFE DN1
5	4401040244	GEHÄUSE DRUCKTASTER	14	4401040262	DEKO-ABSCHLUSSRING
6	4401040239	REGLERKNOPF	15	4401041307	SCHRAUBENSATZ DUSCHVERANKERUNG
7	4401040238	FIXIERSET DRUCKTASTERGEHÄUSE	16	4402010056	ERDUNG
8	4401040240	STIRN DRUCKTASTER	17	59779R0200	DUSCHVERANKERUNG
9	4401040257	SCHLAUCHLEITUNG 1/2" MUFFE - 1/2" MUFFE L=40	18	59779R0100	DUSCHHEINHEIT

CODIGO **59779**

DESCRIÇÃO: **DUCHE 4 DIFUSOR E 4 BOTÃO TEMPORIZADO**



PORTUGUES

POS	CODIGO	DESCRIÇÃO	POS	CODIGO	DESCRIÇÃO
1	4401040235	DIFUSOR ABS	10	4401040258	MANGA 1/2" H - 1/2" H L=600"
2	4401040256	TAMPA DUCHE	11	4401040259	REDUÇÃO 3/4" M - 1/2" M LATÃ "
3	4401040255	MANGA 3/8" H - 1/2" H L=1025"	12	4401040260	COLETOR 3/4" - 3 SAÍDAS 1/2" "
4	4401040248	MANGA 3/8" H - 1/2" H L=875"	13	4401040261	MANGA 3/4" H - 3/4" H DN13 L-450"
5	4401040244	CORPO BOTÃO	14	4401040262	ESPELHO
6	4401040239	BOTÃO TEMPORIZADO	15	4401041307	PARAFUSOS ANCORAGEM CHUVEIRO
7	4401040238	CJTO. FIXAÇÃO CORPO BOTÃO	16	4402010056	LIGAÇÃO A TERRA
8	4401040240	FRONTAL BOTÃO	17	59779R0200	ÂNCORA PARA CHUVEIRO
9	4401040257	MANGA 1/2" H - 1/2" H L=400"	18	59779R0100	CORPO DE CHUVEIRO